

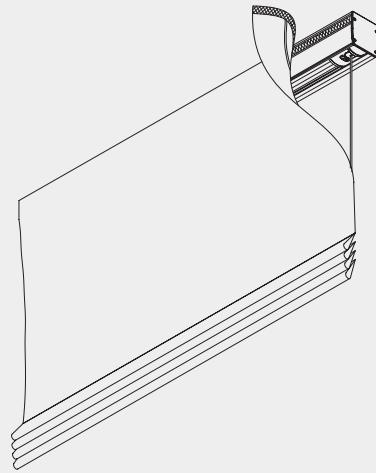
Soft Shade Systems





Motorized Soft Shade System

Silent Gliss® 2350



Product Information

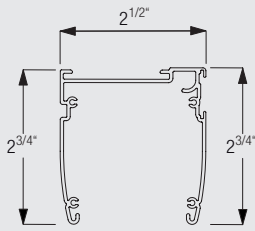
- Electrically operated Soft Shade system for residential and contract applications.
- Very elegant appearance as all technique including motor is hidden in elegant cassette.
- A revolutionary cord release mechanism combined with velcro tape fixing makes maintenance and cleaning of fabric very easy.
- Maximum dimensions are 20' for the width, and 20' for the height.
- The weight of the blind including the bottom weight and cross rods (if hard fold) can go up to 33 lbs.
- Easy ceiling or wall mount to all surfaces.
- Motor concealed in headbox. Can be operated by fixed switch or remote control system Silent Gliss 9940.



2350

Profile and Bending Information

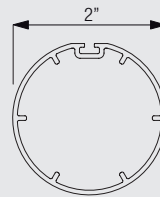
Cassette



2351



Winding Tube



2352



System Dimensions



20 ft



2 ft



20 ft



33 lbs

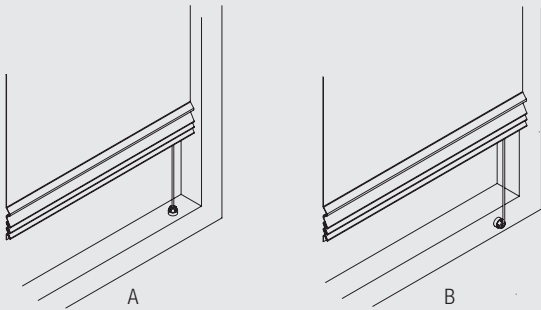
The system dimensions depend on the total fabric weight including the bottom weight bar and the cross rods (if hard fold).

System Option Side Guide (for hard fold only)

Side guides for stabilizing and sloping applications (up to 15°)



2350



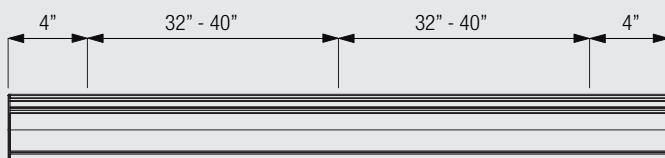
A: Mounting of side guides inside window frame
B: Mounting of side guides onto front of window frame

Parts:
4948 Wire Rope (1/16")
2338 Holder
8249 Fastner

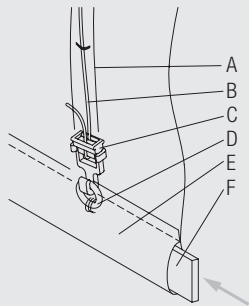
Mounting of side guides inside window frame or onto front of window frame. The system Silent Gliss 2350 can be equipped with side-guide wires and it can be used for sloping applications up to 15° inclination.

Mounting and Sewing information

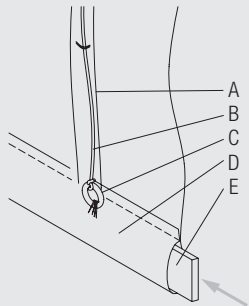
Bracket Positioning



Mounting of Cords

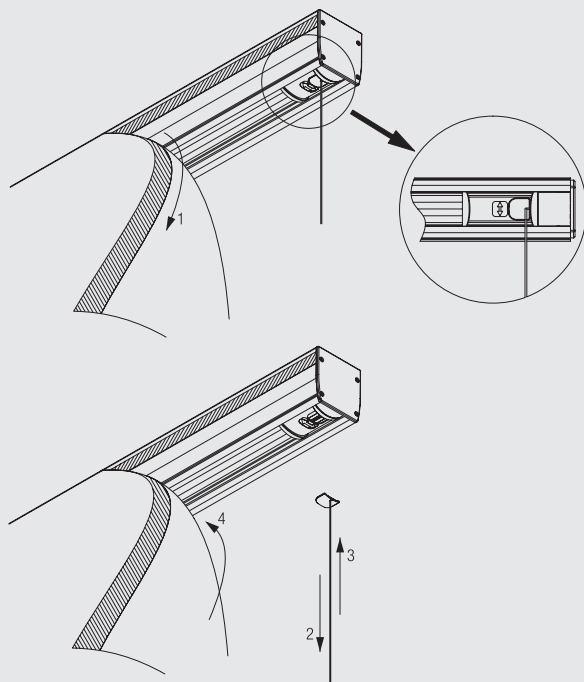


- A: Loop tape 3074 / Ring tape 2164
- B: Cord 2216
- C: Hook 3055
- D: Ring 2093
- E: Hollow hem
- F: Bottom weight bar 2004 / 2016



- A: Loop tape 3074 / Ring tape 2164
- B: Cord 2216
- C: Ring 2093
- D: Hollow hem
- E: Bottom weight bar 2004 / 2016

Easy Washing / Easy Maintenance through Cord Release Mechanism



With the new developed cord release mechanism, taking down of the fabric becomes very easy.

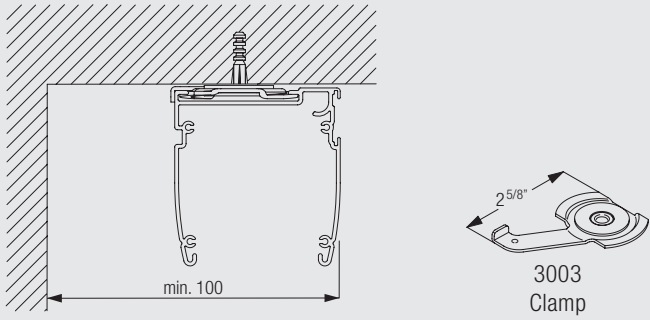
- 1: Remove fabric from Velcro in down position of blind
- 2: Take off the pins by pulling on the lift cord
- 3: After washing, just press pins back to the shell
- 4: Refix fabric to the Velcro tape on profile



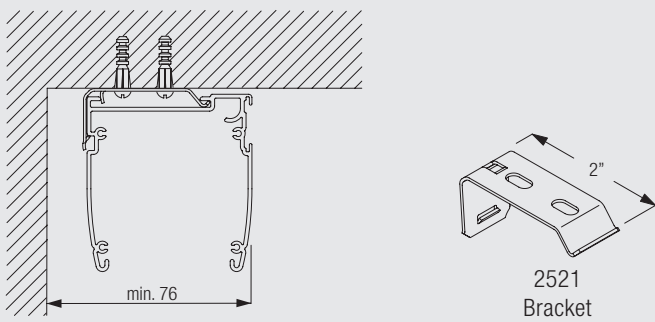
2350

Mounting Options

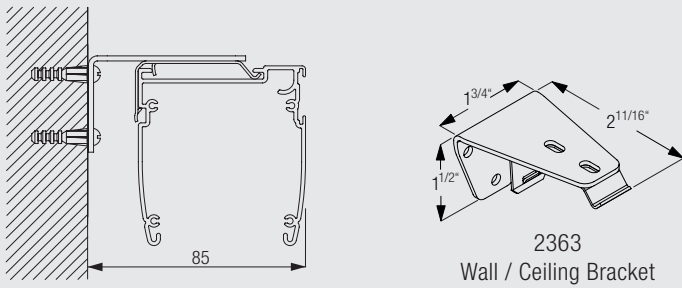
Ceiling mounting with clamp 3003



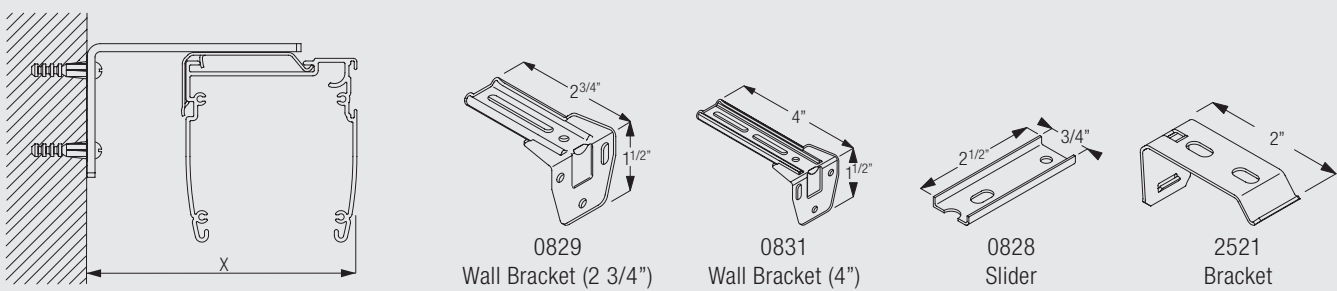
Ceiling mounting with bracket 2521



Ceiling / Wall mounting with bracket 2363




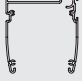




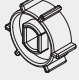
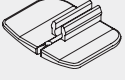

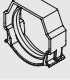
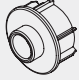
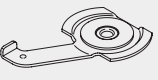
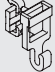



Wall mounting with adjustable brackets 0829, 0831 with slider 0828 and bracket 2521

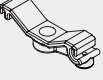


Brackets feature thread for screw M4 x 6 for fixing the Bracket 2521.

Standard Accessories

2004	Weight bar		2216	Cord (ø 1/32")	
2221	Velcro tape		2351	Profile	
2352	Profile		2353	Motor Cover	
2354	Cover		2355	Motor Adapter	
2356	Motor Drive		2357	Pin	
2358	Shell		2359	Support	
2361	Adapter		3003	Clamp	
3055	Hook		9006	Motor 120V	

Optional Accessories

0829	Wall Bracket (2 3/4")		0831	Wall Bracket (4")	
2016	Weight bar		2144	Profile	
2362	Wire Holder		2363	Wall / Ceiling Bracket	
2521	Bracket		8235	Wire base short	
8236	Wire base long		8237	Wire holder	
8249	Device		9941	Remote Transmitter, 1 channel	
9942	Remote Transmitter, 5+1 channel		9943	Remote Wall Switch	
9945	Remote Receiver		9948	Remote Wall Switch with Timer	



2350

Sewing Accessories

2093 Ring



2109 Eyelet



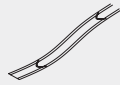
2164 Ring tape



2539 Velcro Tape

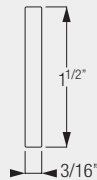


3074 Loop tape

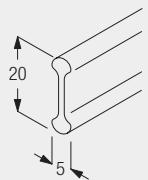


Useful Measures

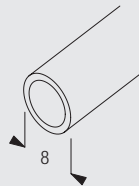
2004 Weight bar



2016 Weight bar



2144 Profile



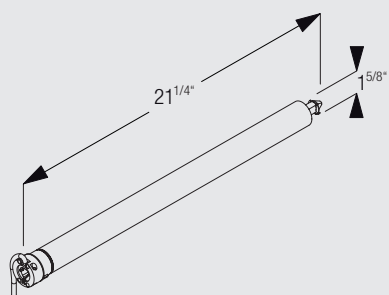
Motors & Controls

The system 2350 can be operated by fixed wall switch or remote control system Silent Gliss 9940.



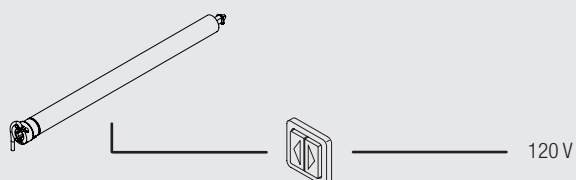
2350

Motor Silent Gliss 9006

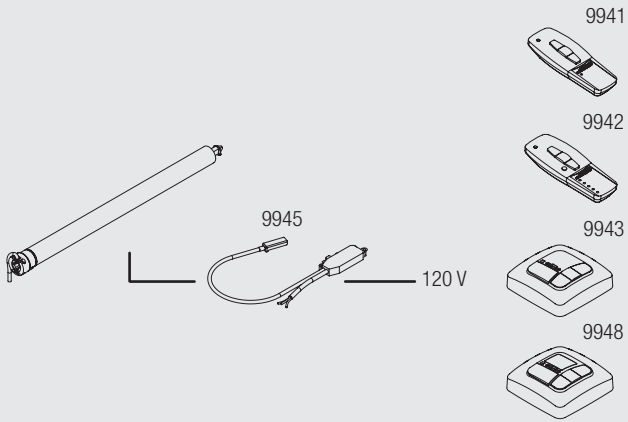


- Torque: 5 Nm
- Voltage: 120 V AC
- Current: 1.1 A
- Speed: 15 rpm
- Thermal overload Protection
- CE Standard
- Weight: 2.75 lbs

Operation Methods



Motor Silent Gliss 9006 can be operated by fixed wall switch.



Motor Silent Gliss 9006 can be operated in combination with the remote receivers 9944 or 9945 and with one of the following transmitters:

- 9941 Remote Transmitter, 1 channel, 915 MHz
- 9942 Remote Transmitter, 5+1 channel, 915 MHz
- 9943 Remote Wall Switch MemoTec with timer, 915 MHz
- 9948 Remote Wall Switch AstroTec with various functions, 915 MHz

Inside a sphere of 82 ft an indefinite numbers of motors can be controlled over 1 channel.

Wiring and Connections

Important: Please refer to our website, www.silentgliss-usa.com, for more information on wiring instructions.



2350



2350



2350

www.silentgliss-usa.com

Silent Gliss USA Inc.
1850 Beaver Ridge Circle, Suite A
Norcross GA 30071

Phone: 770-466-4811
Toll Free: 1-800-938-7225
Fax: 770-466-4814
info@silentgliss-usa.com