

Programming

Setting Limits from an EDU

Setting Limits Overview

The Open and Close Limits can be set from the EDU, a CCI, keypad or IR transmitter with at least: an Open, Close, Raise and Lower buttons.



The advantage of setting limits remotely from a keypad, IR transmitter, or CCI, is these components are generally easier to access. Setting limits at the EDU may be simpler, and can be done before addressing the system, depending upon the installation.

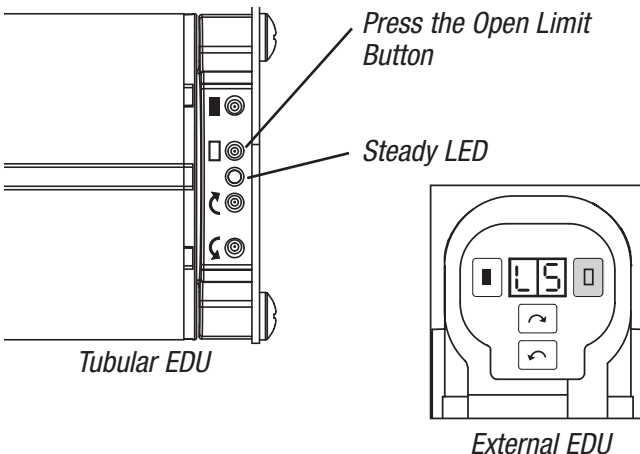
The Open and Close Limits determine how far an EDU will travel. When the open button is pressed on a Keypad, IR transmitter, or CCI, the EDU will move to the Open Limit. When the close button is pressed on a keypad, IR transmitter, or CCI, the EDU will move to the Close Limit. The EDU will not move higher than the Open Limit or lower than the Close Limit.

Note: Setting the Open Limit lower than the Close Limit will cause the shade to move down when raise is pressed and up when lower is pressed.

Setting the Open Limit from the EDU

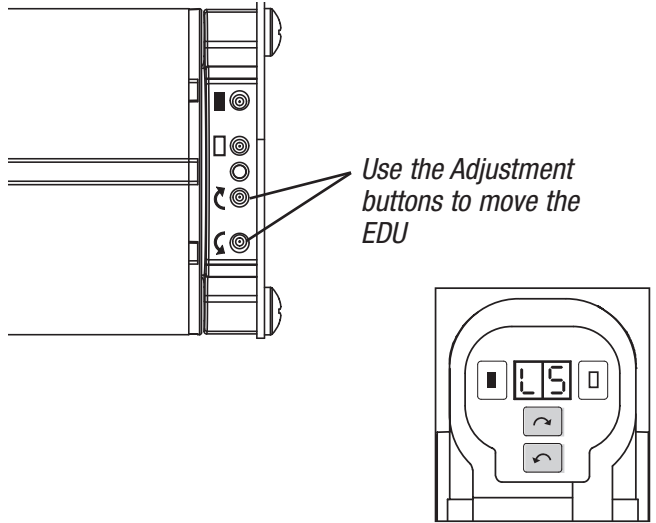
STEP 1

Press the “Open Limit Button” (), the LED on a roller shade EDU will turn on steady, indicating the EDU is in “Set Open Limit Mode.” The display on a drapery track EDU will show ()





STEP 2

Adjust the position of the EDU to the desired Open Limit using the adjustment buttons ( ).



STEP 3

Press and hold the “Open Limit Button” (), for 5 seconds, the LED on a roller shade EDU will flash for 2 seconds then go dark, indicating the current position has been stored as the Open Limit. The display on a drapery track EDU will flash ().

