

Restoring a keypad, CCI, or EDU to its Factory Default Settings will erase all current programming for the device.

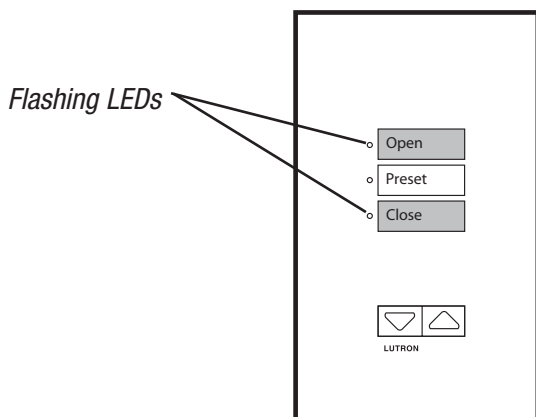
Do not do this unless you are certain that it is necessary. For more information contact the Lutron Technical Support Center at 800-446-1503.

Returning an EDU to its Factory Default Settings does not erase the upper and lower limit settings. All other programming in the EDU is erased when it's returned to the Factory Default Settings.

Returning a Keypad to its Factory Default Setting

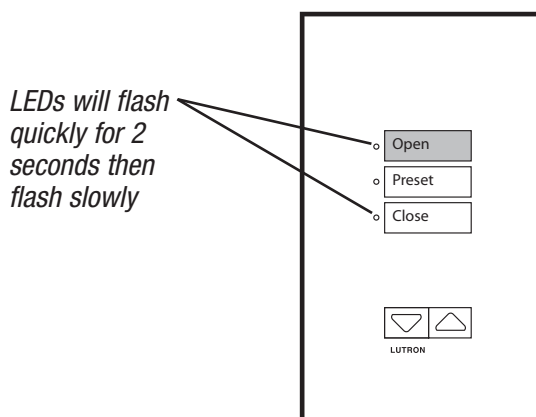
STEP 1

Simultaneously press and hold the Open and Close buttons on the keypad for 5 seconds. The LEDs next to the Open and Close buttons will flash.



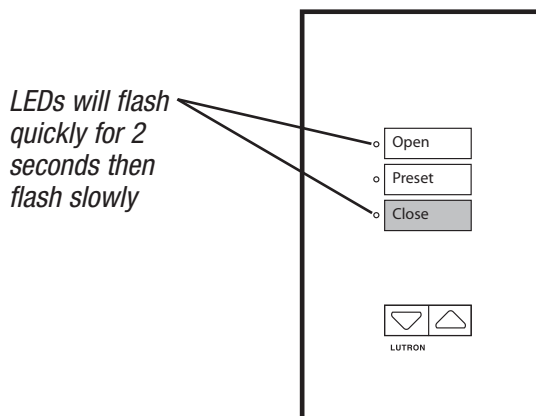
STEP 2

Press and hold the Open button for 5 seconds. The LEDs next to the Open and Close buttons will flash quickly for 2 seconds then flash slowly.



STEP 3

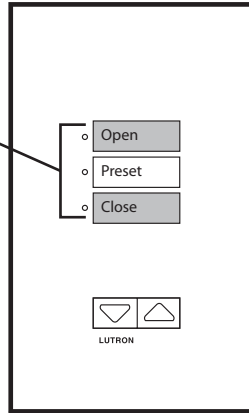
Press and hold the Close button for 5 seconds. The LEDs next to the Open and Close buttons will flash quickly for 2 seconds then flash slowly.



STEP 4

Simultaneously press and hold the Open and Close buttons for 5 seconds. The LEDs will turn ON steady then turn OFF. The keypad is now restored to Factory Default Settings.

All LEDs turn ON and then OFF



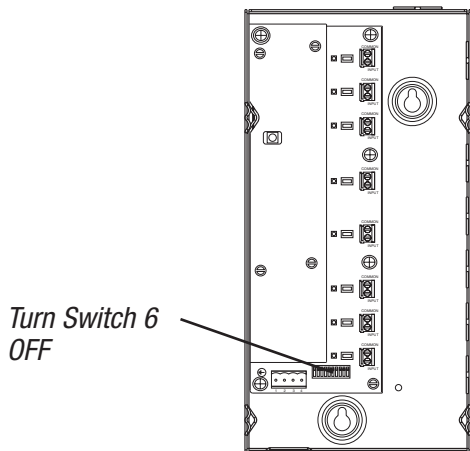
Programming

Restoring Default Settings

Returning a CCI to its Factory Default Setting

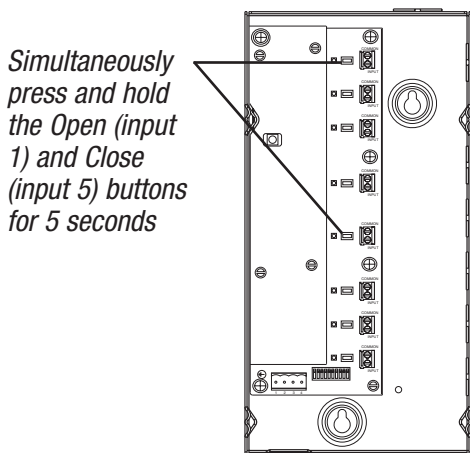
STEP 1

Begin by entering "Program Mode" on the CCI by setting switch 6 to OFF.



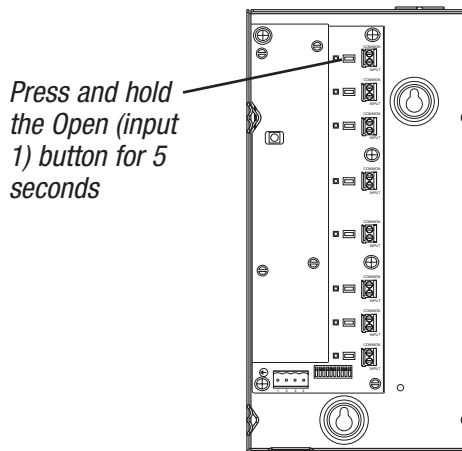
STEP 2

Simultaneously press and hold the Open (input 1) and Close (input 5) buttons on the CCI for 5 seconds. The LEDs next to the Open (input 1) and Close (input 5) buttons will flash.



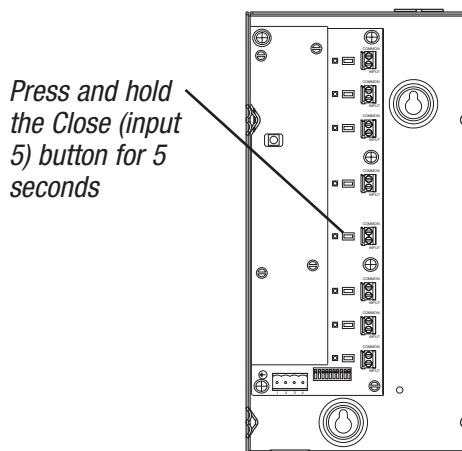
STEP 3

Press and hold the Open (input 1) button for 5 seconds. The LEDs next to the Open (input 1) and Close (input 5) buttons will flash quickly for 2 seconds then flash slowly.



STEP 4

Press and hold the Close (input 5) button for 5 seconds. The LEDs next to the Open (input 1) and Close (input 5) buttons will flash quickly for 2 seconds then flash slowly.

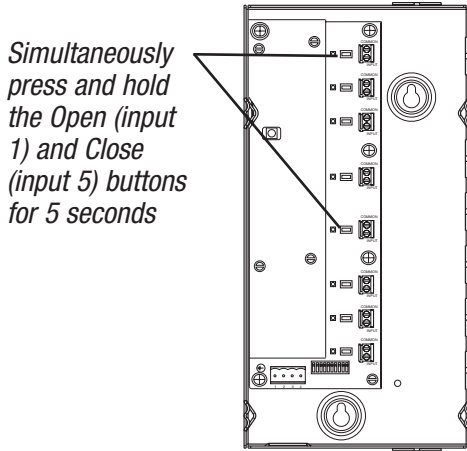


Programming

Restoring Default Settings

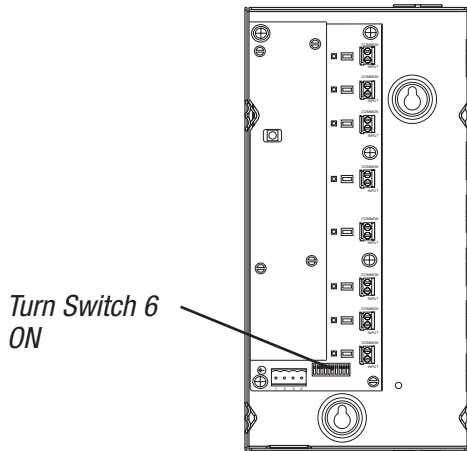
STEP 5

Simultaneously press and hold the Open (input 1) and Close (input 5) buttons for 5 seconds. The LEDs next to the Open (input 1) and Close (input 5) buttons will turn ON steady then turn OFF. The CCI is now restored to Factory Default Settings.



STEP 6

Return the CCI to normal mode by setting switch 6 to ON.



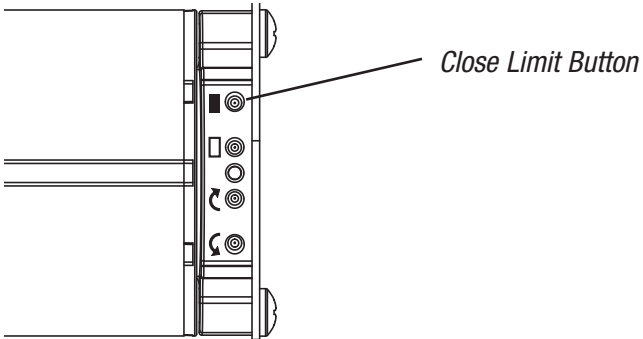
Programming

Restoring Default Settings

Returning an EDU to its Factory Default Setting

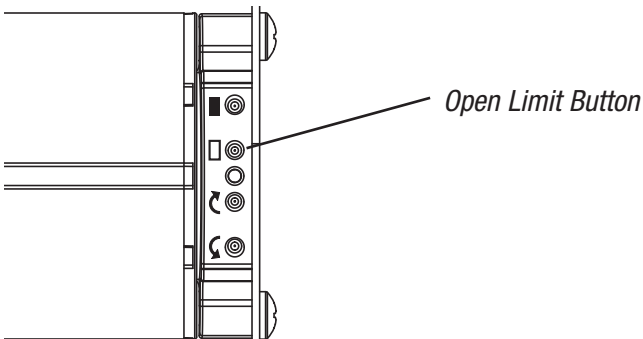
STEP 1

Press and hold the Close Limit button on the EDU for 5 seconds. The LED on the EDU will flash then turn ON steady.



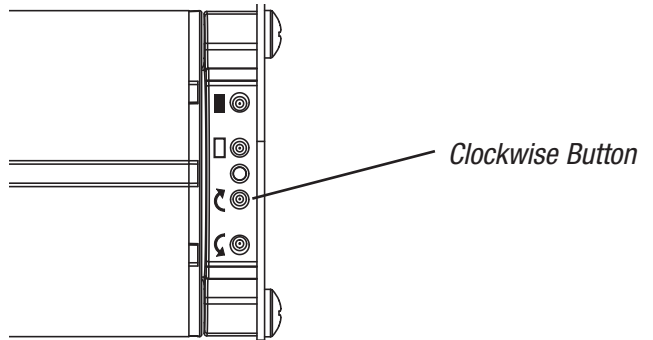
STEP 2

Press and hold the Open Limit button for 5 seconds. The LED on the EDU will flash then turn ON steady.



STEP 3

Press and hold the clockwise button for 5 seconds. The LED on the EDU will flash then turn ON steady.



STEP 4

Press and hold the counterclockwise button for 5 seconds. The LED on the EDU will flash. The EDU is now restored to Factory Default Settings.

