

Roller Shade Systems

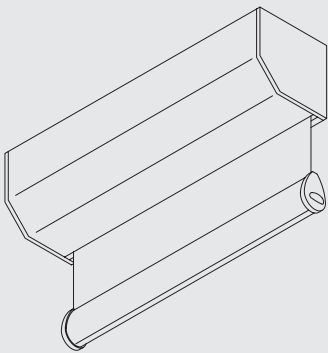


Application Chart

Operation	Dimensions				Profile		Features / Options				Mounting Options		Mounting Surfaces			System
	min.	max.	max.	lbs max.	Profile Number	Profile Diameter (ø in)	Heavy Duty	Side by Side	Fascia Cover available	Stop control available	Ceiling Mount	Wall Mount	Wood	Concrete	Suspended Ceiling	
	18"	6.5'	10'	5lbs	4227	1 5/16"	●			●	●	●	●	●	●	4800
	18"	6.5'	10'	8lbs	4801	1 5/16"		●			●	●	●	●	●	4810
	18"	11'	13'	15lbs	4701	2 3/16"		●	●	●	●	●	●	●	●	4830
	20"	13'	20'	28lbs	4901	3 3/16"										4840
	20"	16'	12'	21lbs	4957	4 3/8"	●			●	●	●	●	●	●	
	22"	7'	11'	17lbs	4544	1 5/8"		●			●	●	●	●	●	4860
	24"	11'	16'	22lbs	4701	2 3/16"		●	●		●	●	●	●	●	4870
	28"	13ft	40'	22 - 50lbs	4901	3 3/16"										4880
	28"	16ft	30'	22 - 50lbs	4957	4 3/8"	●			●	●	●	●	●	●	

Operation	Dimensions				Profile		Features / Options		Mounting Options		Mounting Surfaces		System			
	min.	max.	max.	lbs max.	Profile Number	Profile Diameter (∅ in)	Heavy Duty	Side by Side	Fascia Cover available	Stop control available	Ceiling Mount	Wall Mount		Wood	Concrete	Suspended Ceiling
115 V	38"	8ft	16ft	22lbs	0872	2 1/4"	●	●		●	●	●	●	●		4450

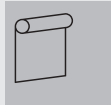
Design Case and Fascia Applications

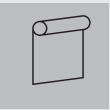


Fascia cover 4702; applicable for systems 4830/4870

Silent Gliss Specialized Order Forms

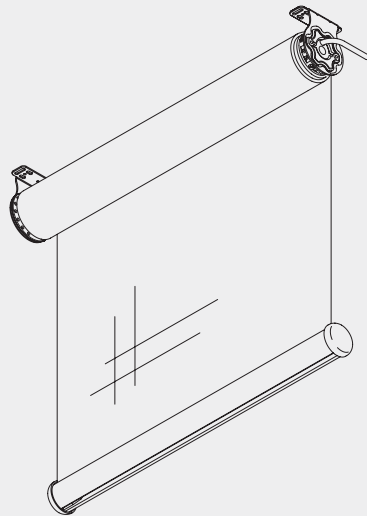
Please visit www.silentgliss-usa.com for a detailed order form on our Roller Shade Systems.





Motorized Roller Shade System

Silent Gliss® 4450



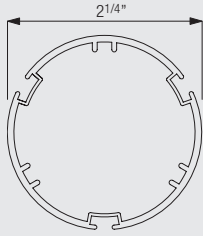
Product Information

- 110V motorized roller shade system
- May be controlled by wall switch or infrared remote control
- Shade can be stopped at any desired position
- Silent, totally maintenance free operation
- Available with aesthetically pleasing external aluminum bottom weight bar in clear anodized, custom painted or with weight bar inside fabric pocket
- Widths up to 98"
- Heights up to 192"
- Systems available with solar shading, room darkening or soft designer fabrics
- Wall, ceiling or recessed mounting
- 3 Year Warranty



4450

Profile and Specification Information



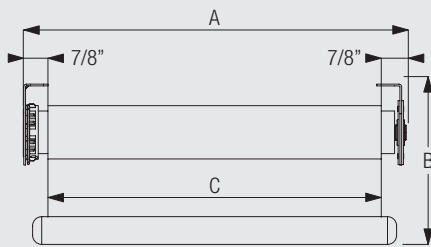
0872 Profile

Specification Guide

Silent Gliss 4450 motorized roller shade system with 56mm anodized aluminium headrail complete with 30 rpm tubular motor. Outside / inside recess fixing with 4451 / 4454 brackets. 4221 aluminium base bar in anodised aluminium or white.

How to Measure

Single system



A: system width - window reveal
B: system drop - window reveal
C: fabric with

Maximum Dimensions



98"



38"



192"



20



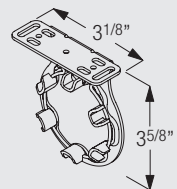
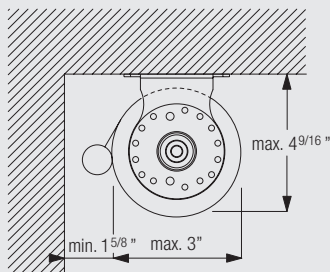
35lbs



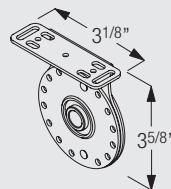
4450

Fitting Options

Ceiling mount

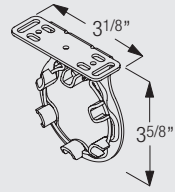
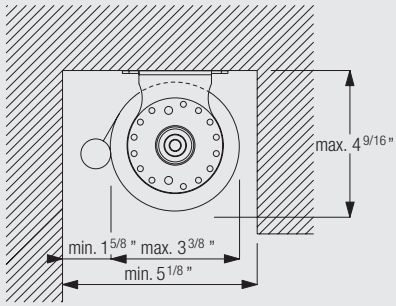


0870
Motor Side Bracket

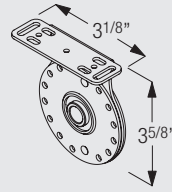


0871
Idle Bracket

Recess mount

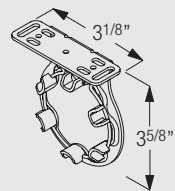
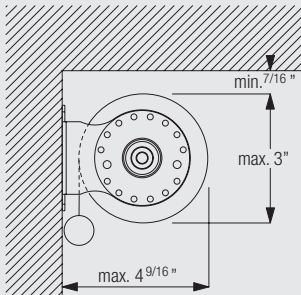


0870
Motor Side Bracket

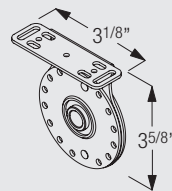


0871
Idle Bracket

Wall mount



0870
Motor Side Bracket



0871
Idle Bracket

Standard Accessories

0870 Idle Bracket



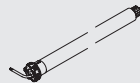
0871 Motor Side Bracket



0872 Profile



0876 32rpm Tubular motor



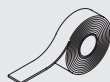
4221 Base Bar



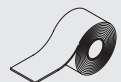
4224 Plastic strip (12mm)



4225 Double tape (12mm)



4226 Double tape (30mm)



4241 Weight bar end caps



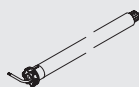
4450

Optional Accessories

0343 Telis 1 RTS Transmitter

0344 Telis 4 RTS Transmitter

0877 RTS Motor



4903 Tear drop base bar

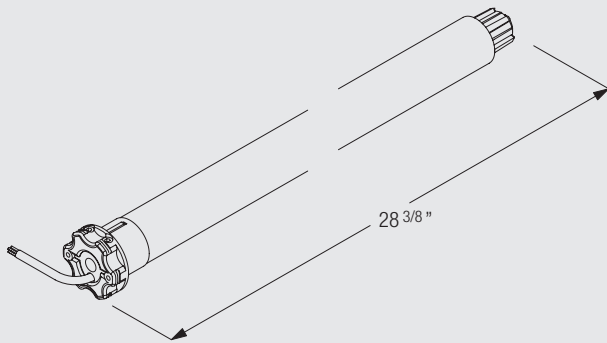


4944 End caps



Motorization - Roller Shade Motors

Motor Silent Gliss 0876



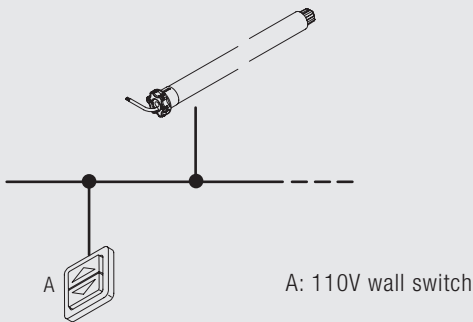
Torque: 4Nm
Voltage: 120V
Power: 110W
Current: 0.95A
Speed: 30rpm
Thermal overload protection
CEE Standard
Electronic end stop

Important: This motor cannot be wired in parallel.

For further information and wiring diagrams please contact our sales office.

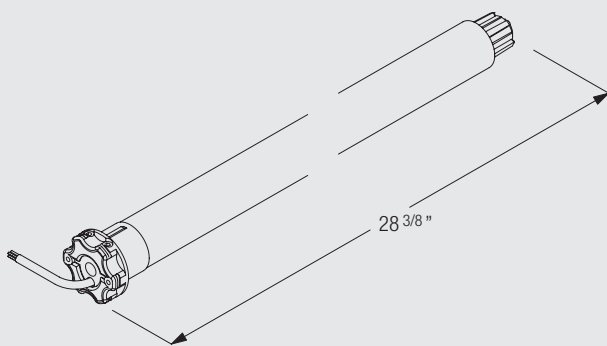
Operating Methods

Fixed Wall switch



4450

Motor Silent Gliss 0877 - RTS Option



Torque: 4Nm
Voltage: 120V
Power: 110W
Current: 0.95A
Speed: 30rpm
Thermal overload protection
CEE Standard
Electronic end stop

Important: This motor can be wired in parallel.

For further information and wiring diagrams please contact our sales office.



4450



4450



4450

www.silentgliss-usa.com

Silent Gliss USA Inc.
1850 Beaver Ridge Circle, Suite A
Norcross GA 30071

Phone: 770-466-4811
Toll Free: 1-800-938-7225
Fax: 770-466-4814
info@silentgliss-usa.com