

**Sivoia QED™  
Roller 64™  
Pocket Mount**

Installation  
Instructions

# Sivoia QED™ | Roller 64™ Pocket Mount

## Installation Instructions

### Tools Required:

- |                         |                      |
|-------------------------|----------------------|
| Tape Measure            | 1/4" Hex-Head Driver |
| Wire Cutter/Stripper    | Level                |
| Pliers                  | Power Drill          |
| #2 Phillips Screwdriver |                      |

### Notes:

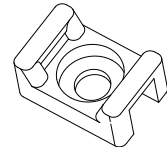
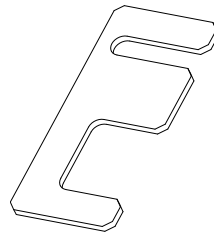
- 1) Complete wiring and programming information can be found in the Sivoia QED Wire and Programming Guide, P/N 045-038 or at [www.lutron.com](http://www.lutron.com).
- 2) The Electronic Drive Unit (EDU) will need to be powered to complete installation.

### Box Contents:

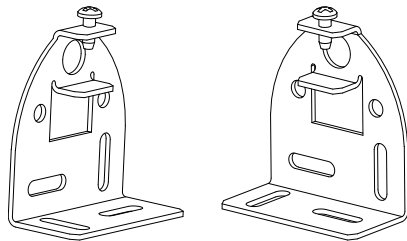
Sivoia QED™ Roller 64



(2) Bracket Leveling Spacer (2) Cable Tie Anchor



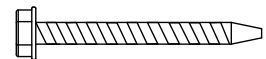
Shade Brackets with Retaining Screws



(1) 7 Pin Terminal Block



(5) Mounting Screws  
(#8x1-3/4" (#8x44mm)  
Hex Head Screws)



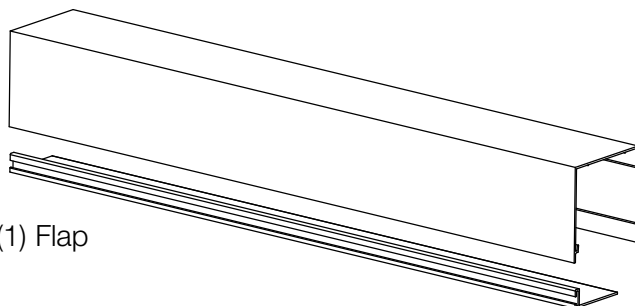
(2) 4" (102mm) Cable Ties



(1) Screwdriver



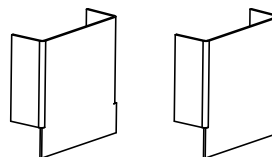
(1) Pocket



(1) Programming Stylus



(2) Pocket Endcaps (if applicable)



(1) Flap

# Sivoia QED™ | Roller 64™ Pocket Mount

## Installation Instructions (continued)

**Warning:** Incorrect installation can lead to severe injury, follow all installation instructions.

**Notes:**

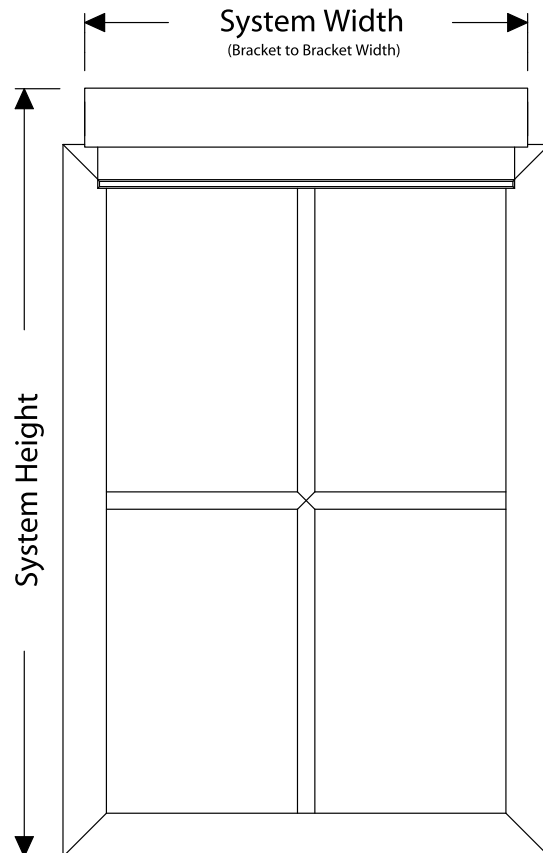
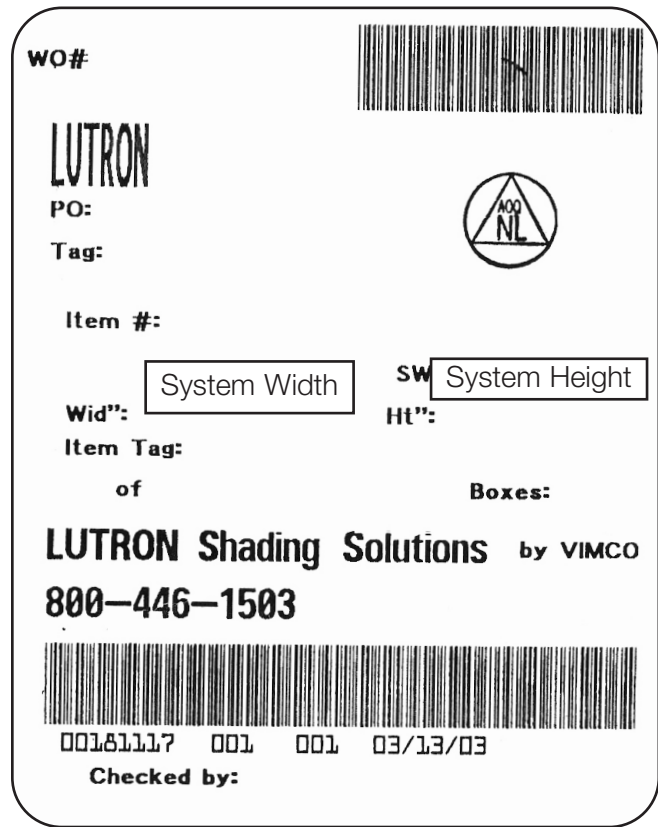
- The Sivoia QED Roller 64 must be used only with window systems approved by Lutron.
- There must be a clearance of at least 1.3 feet (0.4 meters) between the fully lowered system and any permanent object.
- Installation shall be executed by a qualified electrician according to national wiring rules.
- Before shade installation, remove any unnecessary cords and disable any equipment not needed for powered operation. The Sivoia QED Roller 64 has a maximum rated operating time of 8 min.
- The Sivoia QED Roller 64 must be used only with window systems approved by Lutron, and should not be taken apart from the window system.
- **Codes:** Install in accordance with all local and national electrical codes.
- **Environment:** Ambient operating temperature: 0-40°C, 32-104°F, 0-90% humidity, non-condensing. Indoor use only.

# 1 Confirm System Dimensions

## 1.1

Compare system dimensions on the package label with the window dimensions to verify appropriate window/shade combination.

Package Label

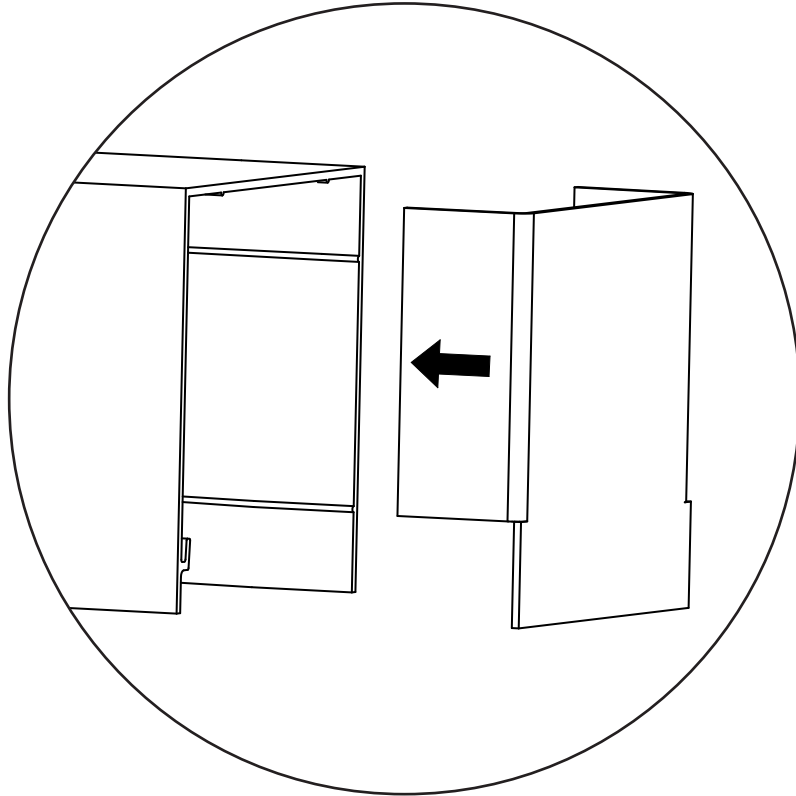


## 2

## Install Pocket Endcaps (if applicable)

### 2.1

Slide the 2 tabs of the pocket endcap into the pocket until it is flush with the outside.



# 3

## Mount Pocket

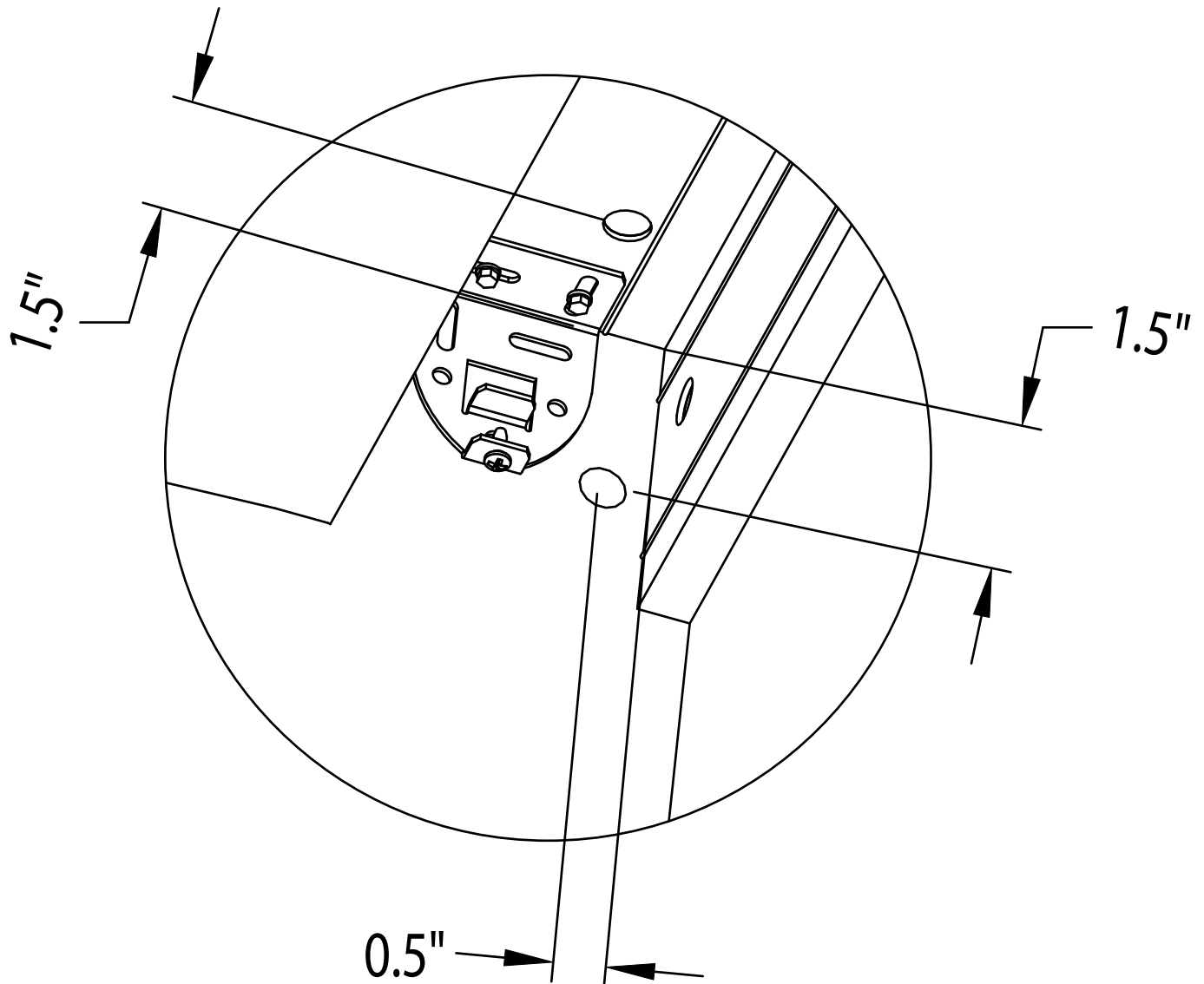
**⚠ DANGER** - Locate and lock breaker to the shade power supply in the OFF position or unplug the power plug-in transformer before doing any wiring.

### 3.1

Pre-drill pocket to allow clearance for the wires without interfering with the bracket. Follow figure below for suggested hole locations.

**Note:** Hole should be large enough to allow adjustment during install without pinching the wire.

**Note:** Cable should exit from EDU side of the system.



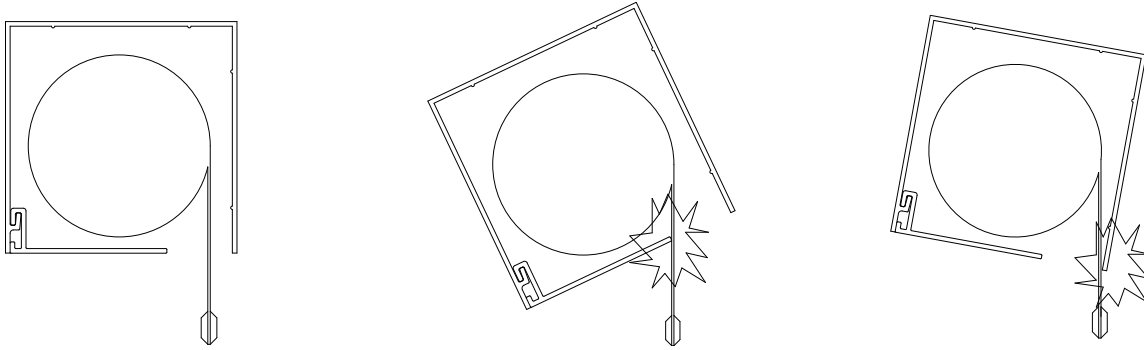
# 3

## Mount Pocket

### 3.2

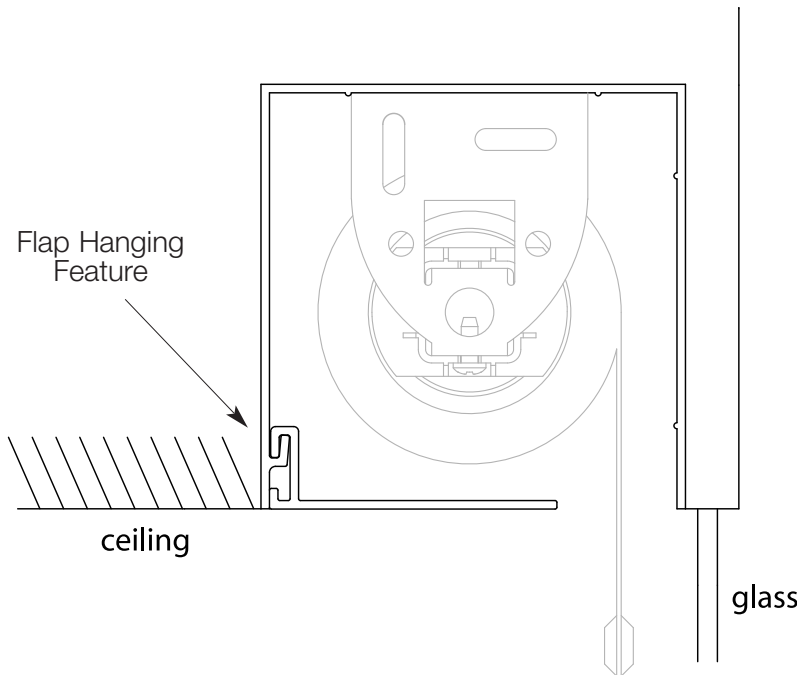
Verify mounting surface is level/plumb before attaching pocket.

**Note:** Pocket may rub fabric if installed with an improper tilt or may cause flap to fall.



### 3.3

Orient the pocket. For regular roller shades, install pocket with flap hanging feature on the opposite side of the glass. For reverse roller shades, flap hanging feature is on glass side.



# 3

## Mount Pocket (continued)

### 3.4

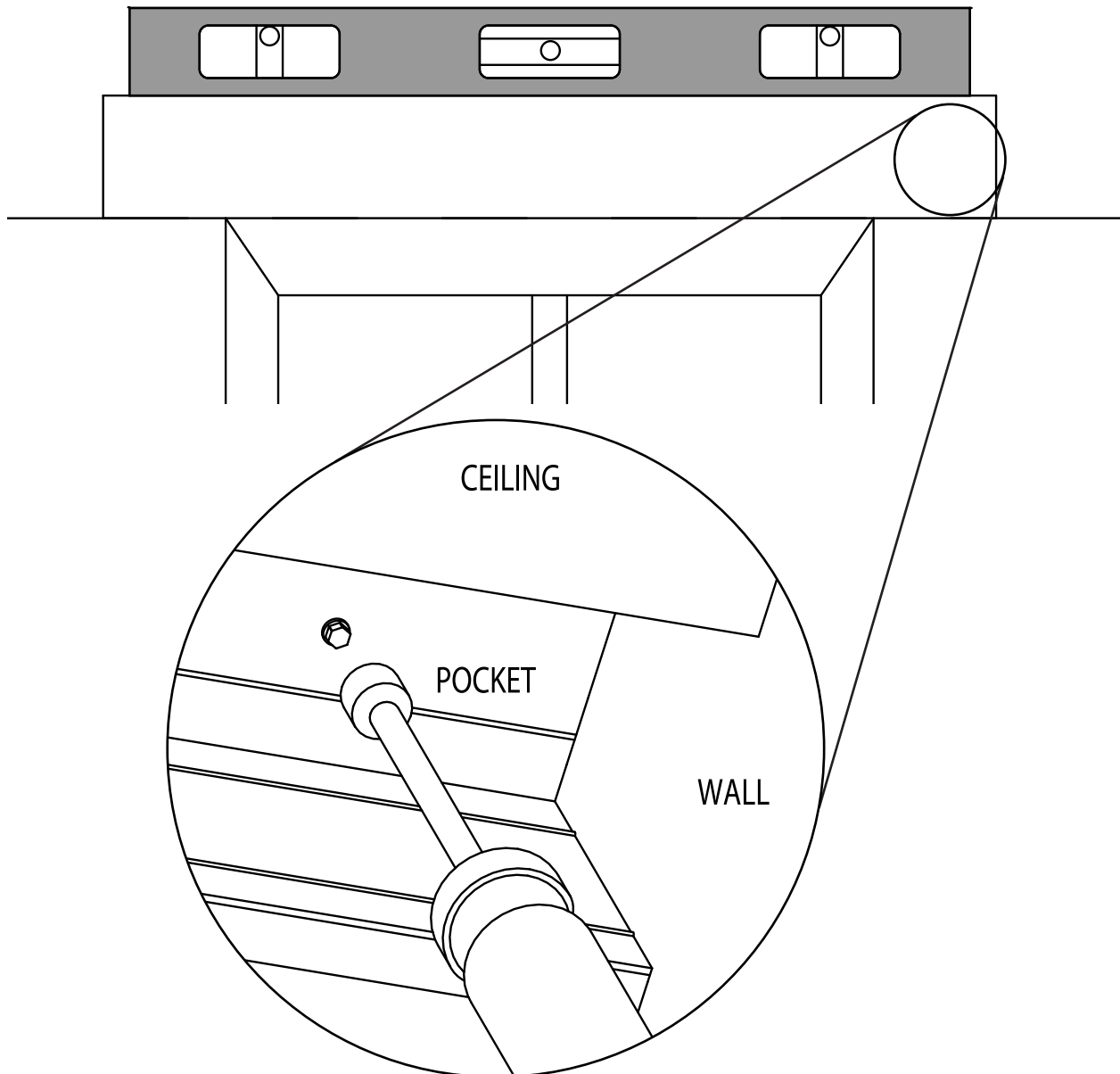
Mount the pocket using appropriate fasteners (make sure it is level).

**Note:** Screws must be at least 1.5" (38mm) from system end to avoid interfering with mounting of shade brackets.

**Note:** Be sure to pull cable from wall through the hole in pocket while mounting.

**Note:** The pocket should be mounted to support at least 300 lbs (136 kg). The fasteners provided may not be appropriate for use in all applications.

**Note:** Blocks (Not Provided) may be required to prevent fabric from rubbing against trim, window, top treatment, etc.



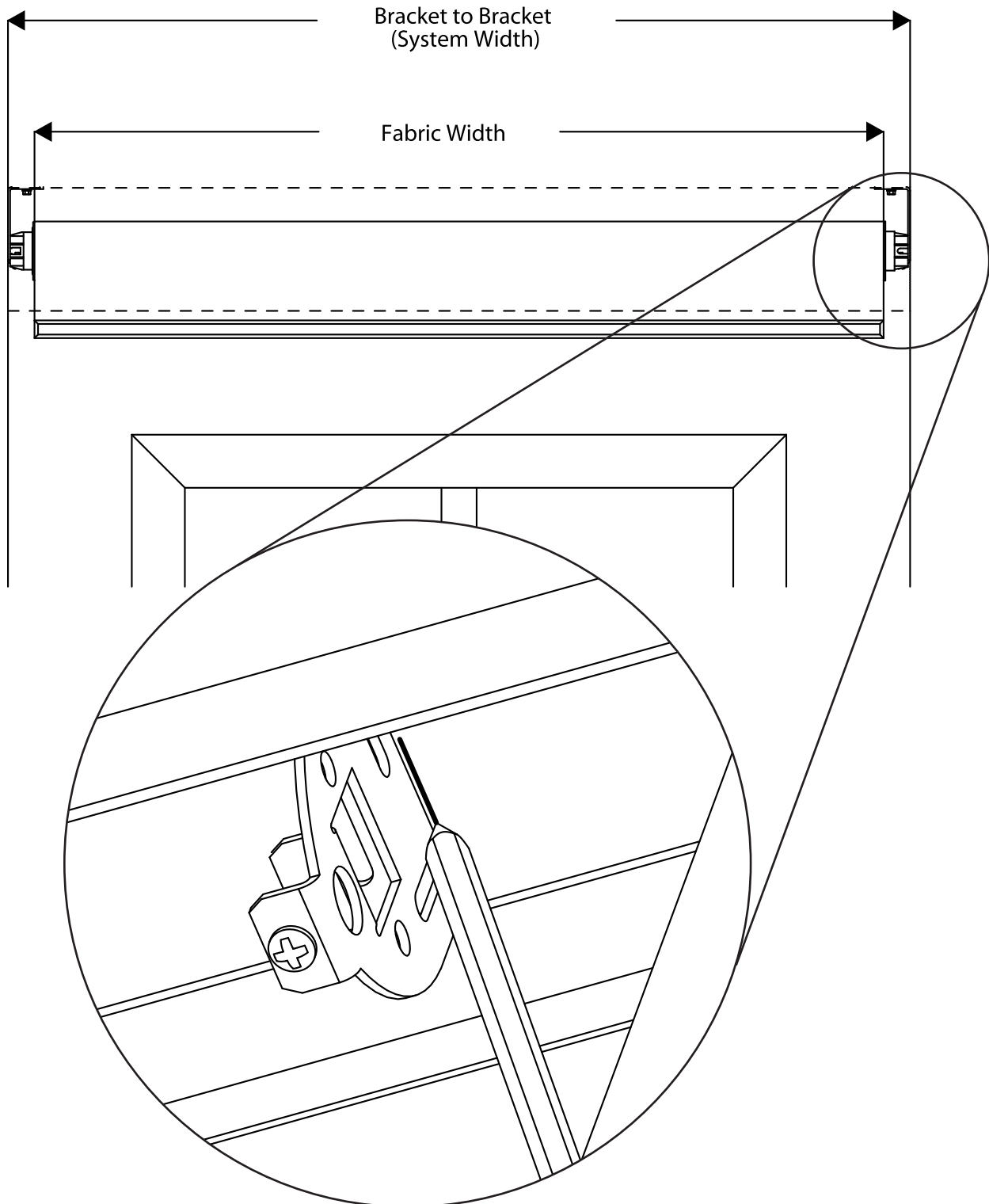
# 4

## Position the Mounting Brackets

### 4.1

Mark the location of the mounting brackets so they are centered over the window.

**Note:** Bracket to Bracket Distance = Fabric Width + 1.5" (38mm) = System Width.



# 5

## Install the Mounting Brackets

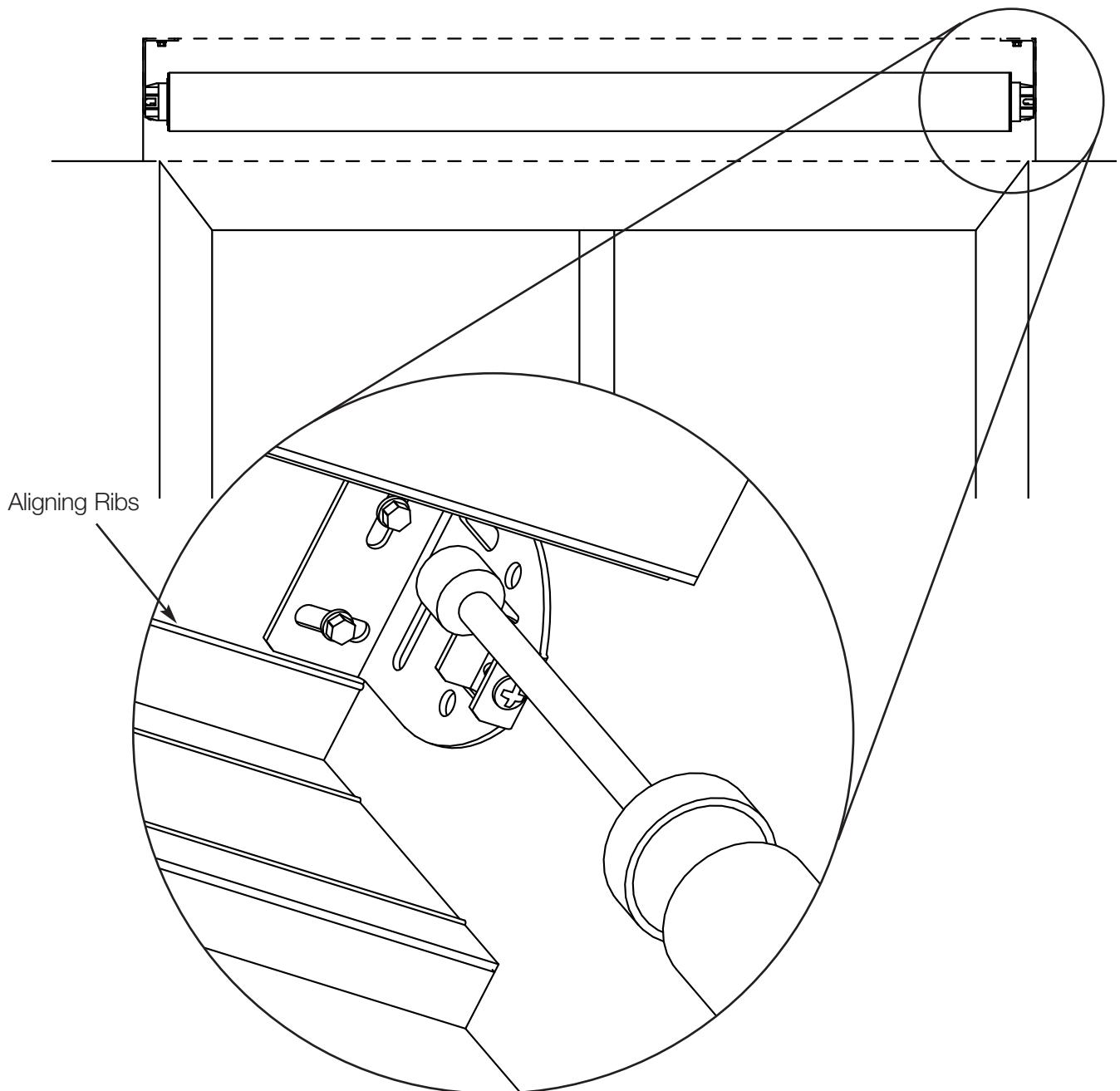
### 5.1

Install the first mounting bracket between the aligning ribs in the pocket.

### 5.2

Install the second mounting bracket between the aligning ribs in the pocket at the other end of the system.

**Note:** Put a screw in the center of each slot. Use slots as needed to ensure brackets are level and plumb as positioned.

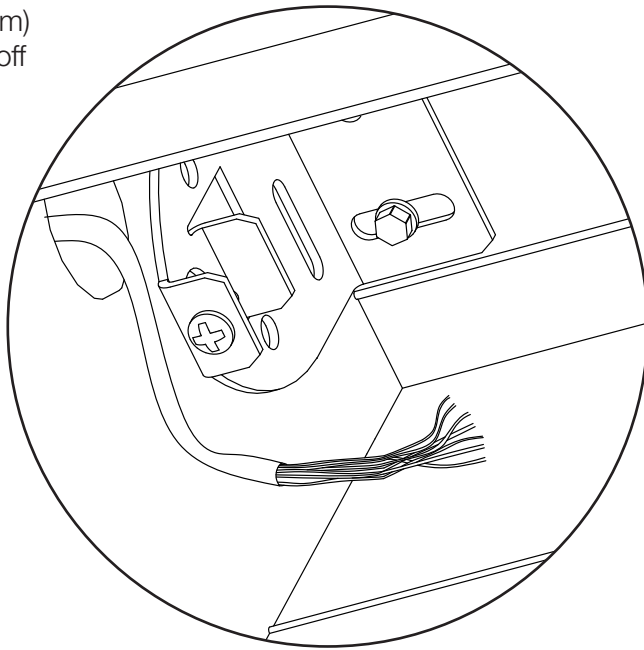


# 6

## Wire 7-Pin Terminal Block

### 6.1

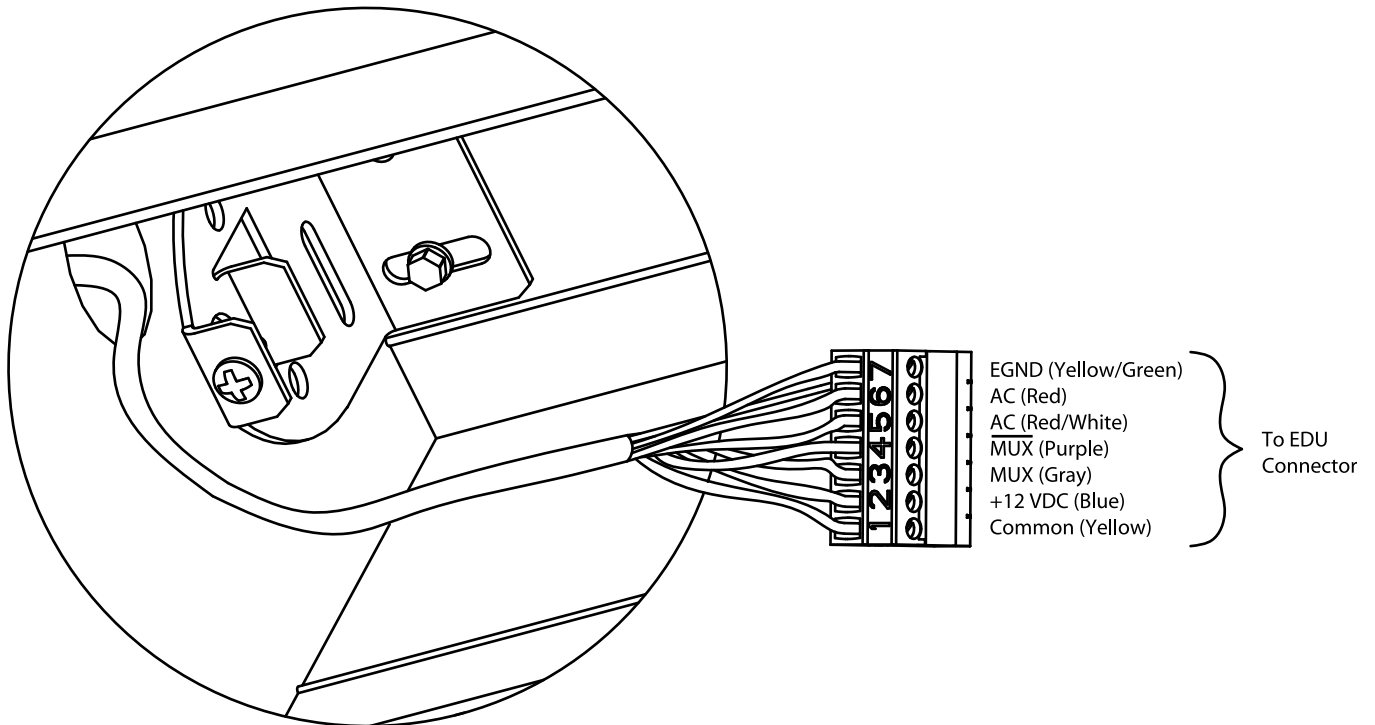
Strip 2" (50mm) of the jacket off the cable run from the wall.



### 6.2

Wire 7-Pin terminal block (provided) to cable using the included screwdriver.

**Note:** SVQ-CBL-250 shown.

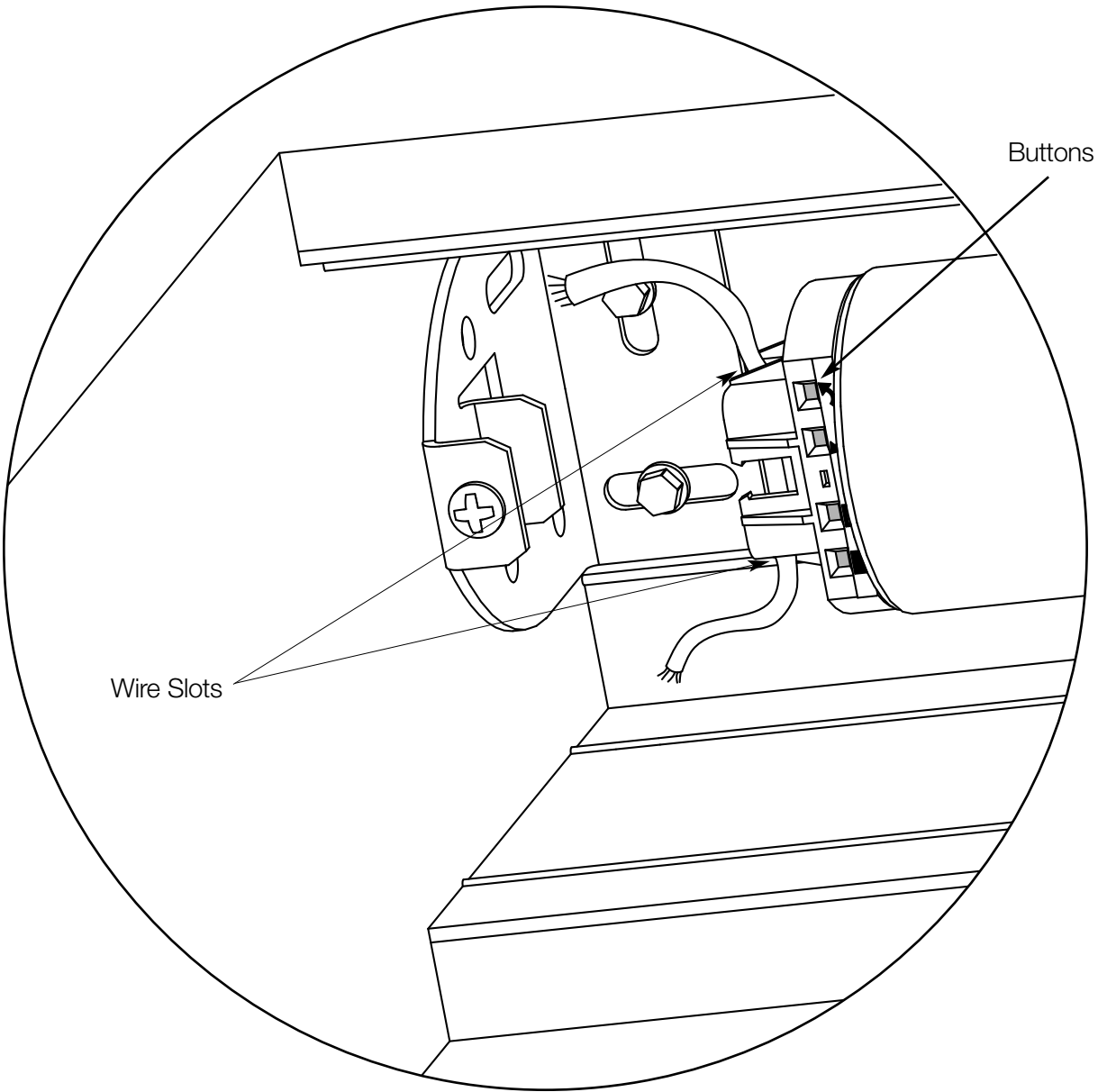


# 7 Orient the Buttons and Wiring

## 7.1

Orient the shade as shown so the buttons are accessible (do not try to mount shade yet) and the wires are not pinched or damaged.

**Note:** The wires may go in either or both of the slots shown on the figure below.

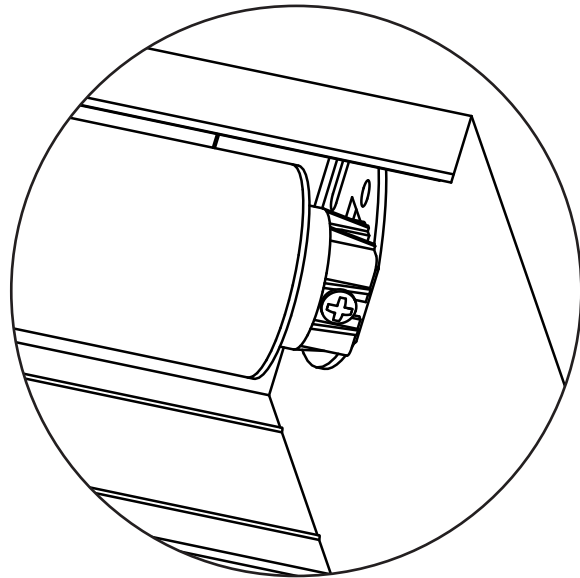
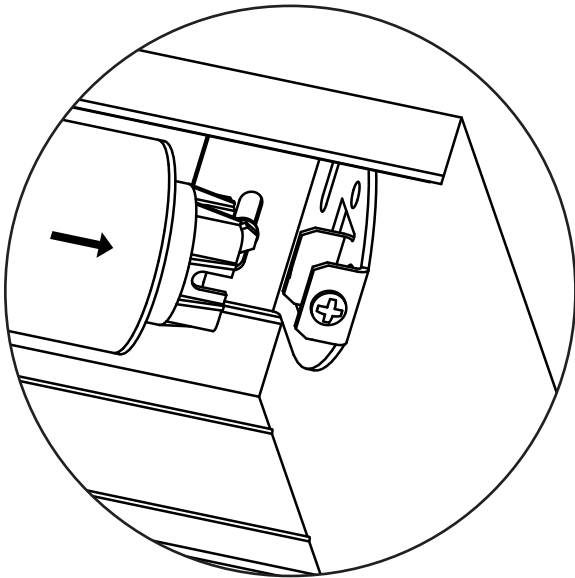


# 8

## Mount the Shade

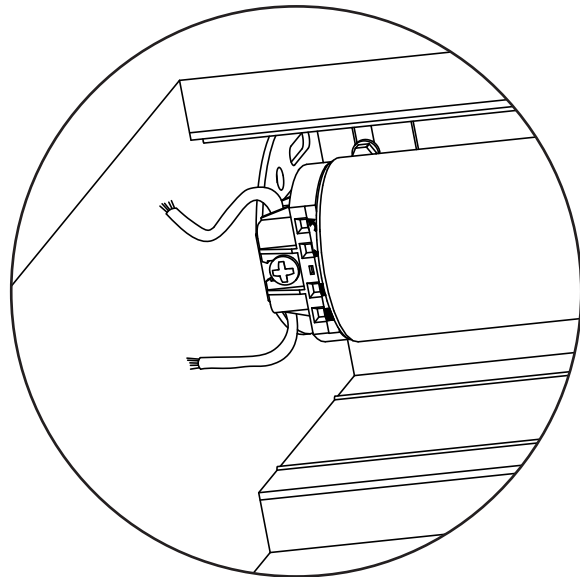
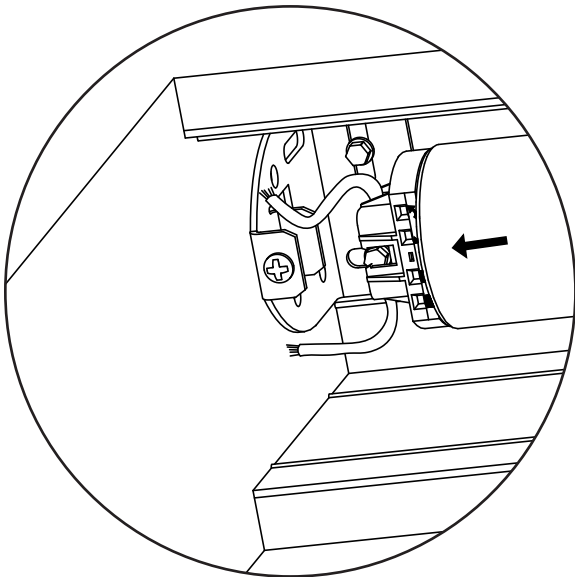
### 8.1

Install the idler side of the shade onto its bracket.



### 8.2

Depress the spring loaded idler by pressing the shade towards the idler, and install the EDU side of the shade onto its bracket.



# 9

## Adjust the Shade

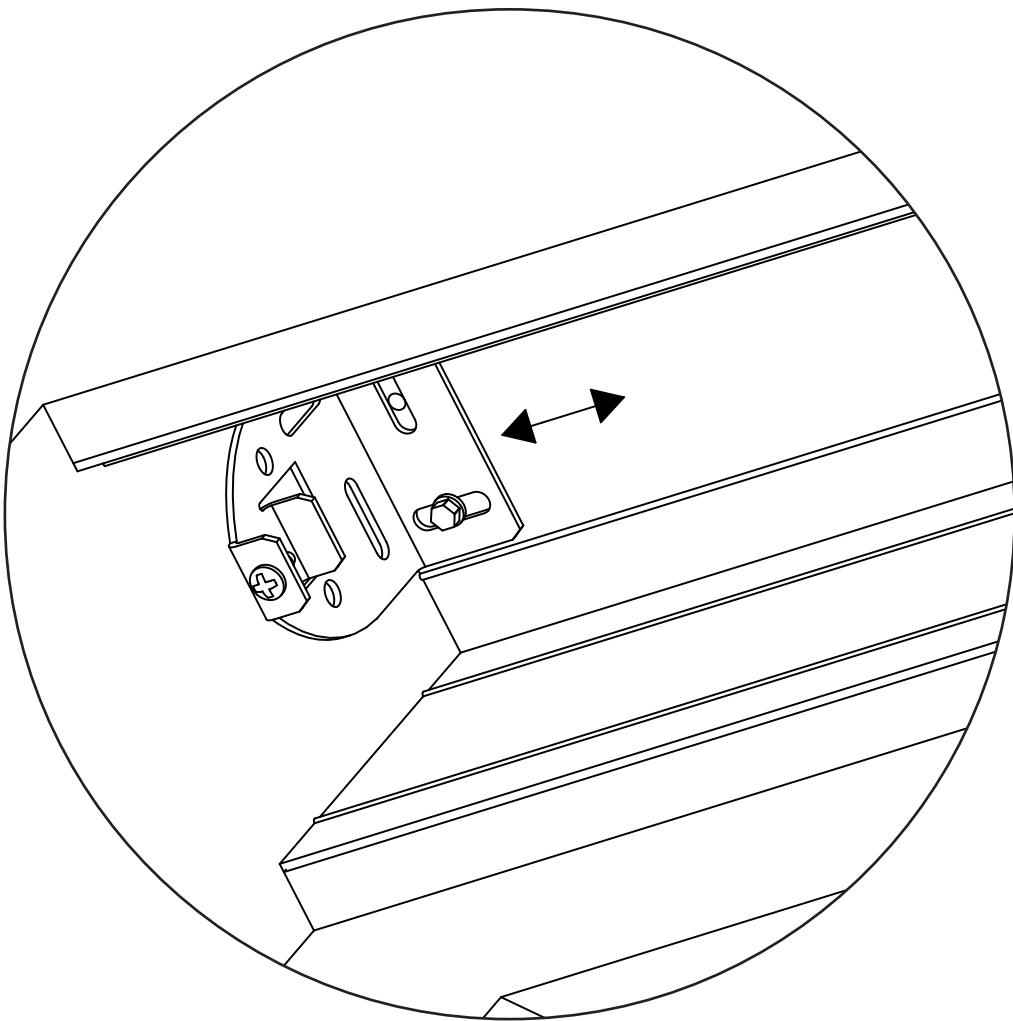
### 9.1

Adjust shade by removing the necessary screws and moving the brackets horizontally.

**Note:** You may have to remove the shade to access the bracket screws.

### 9.2

Reinstall and tighten the screws.



**Note:** It is not recommended to use bracket spacers inside the pocket.

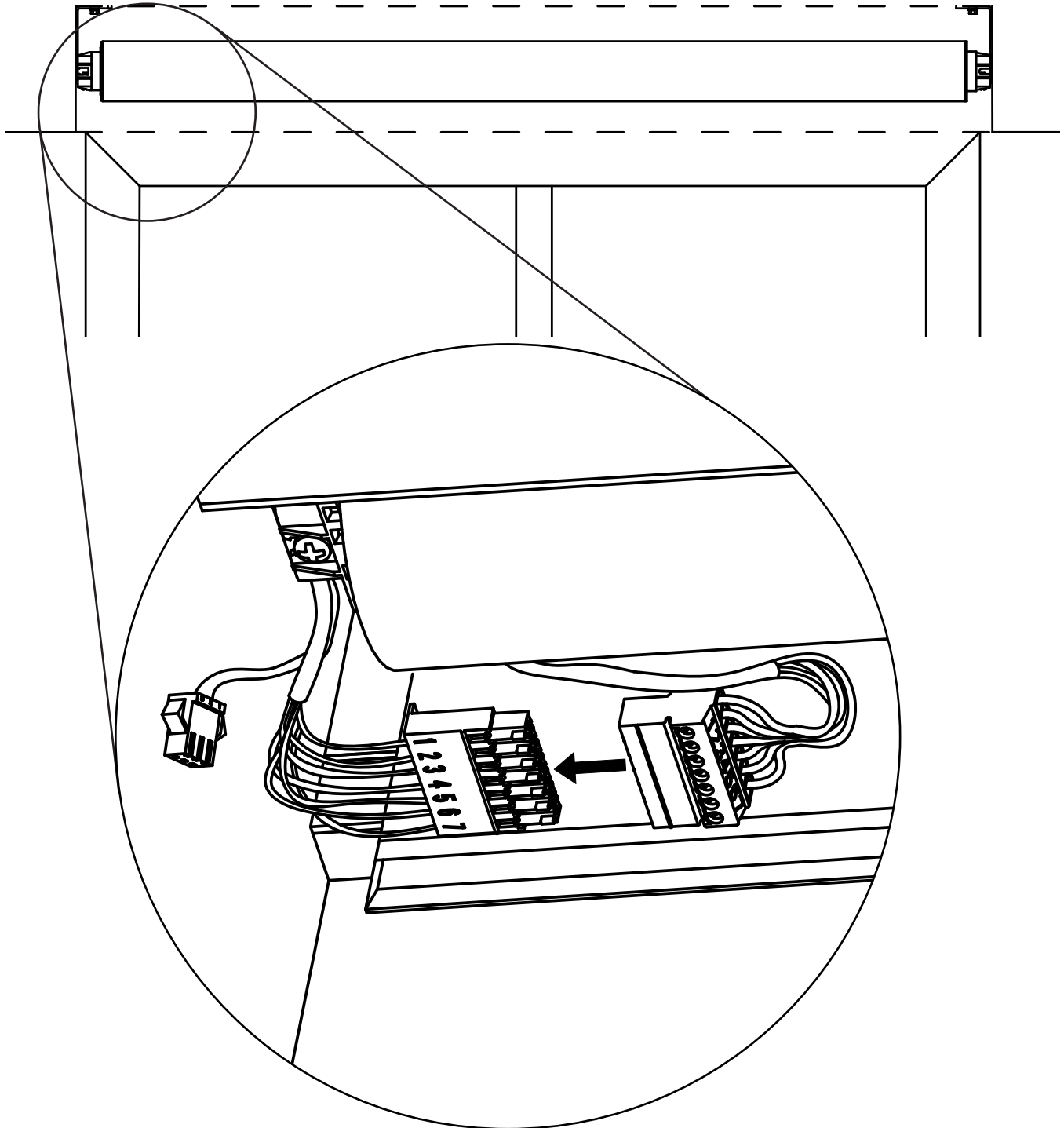
## 10 Connect Terminal Blocks

### 10.1

Plug 7-pin terminal block on cable into EDU terminal block (a cable tie can be used to secure the terminal blocks together).

### 10.2

Dress wires to ensure fabric does not rub while the shade is moving.



# 11 IR Receiver Connection (if applicable)

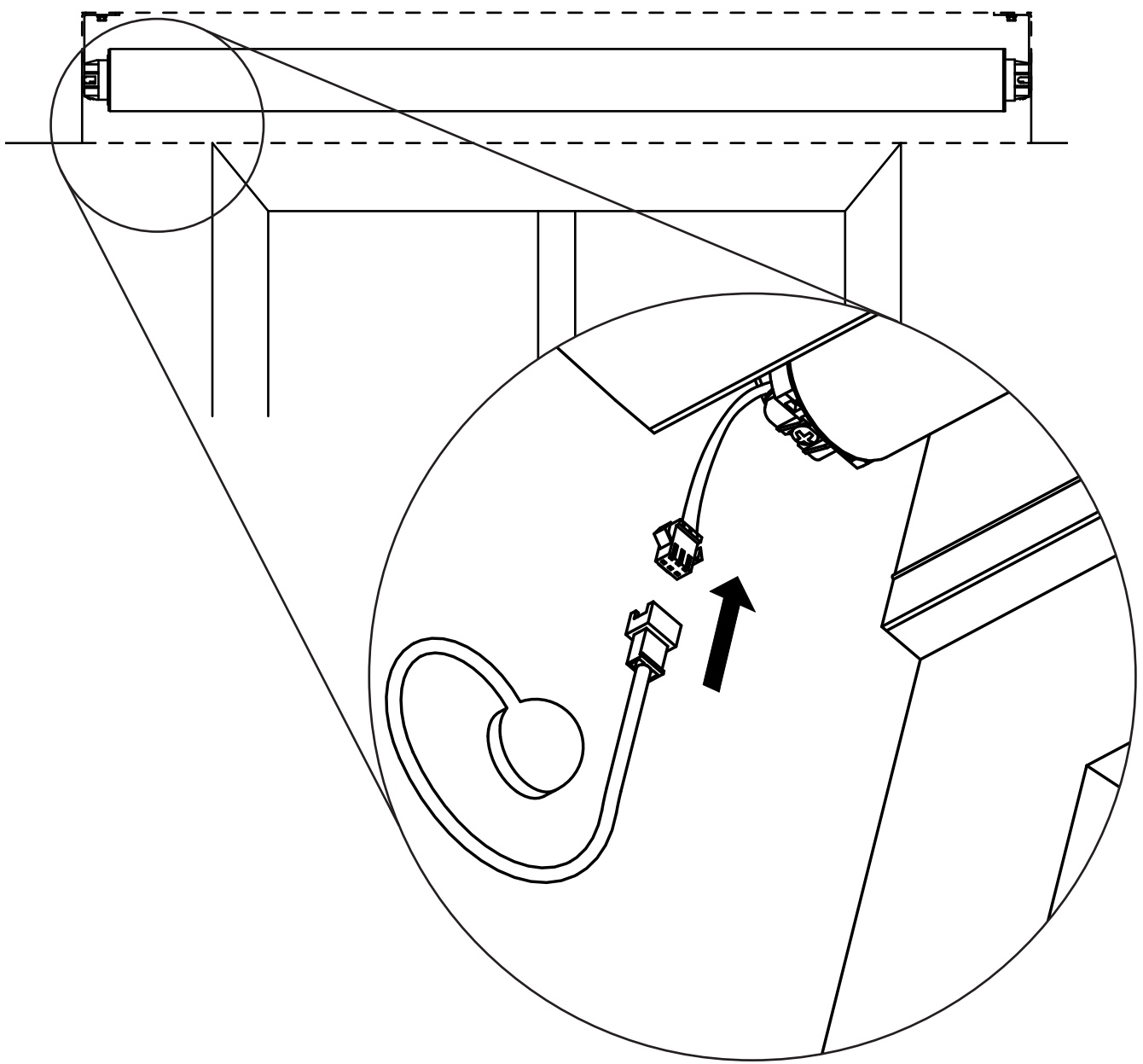
## 11.1

Plug in the IR receiver.

## 11.2

Position the IR receiver.

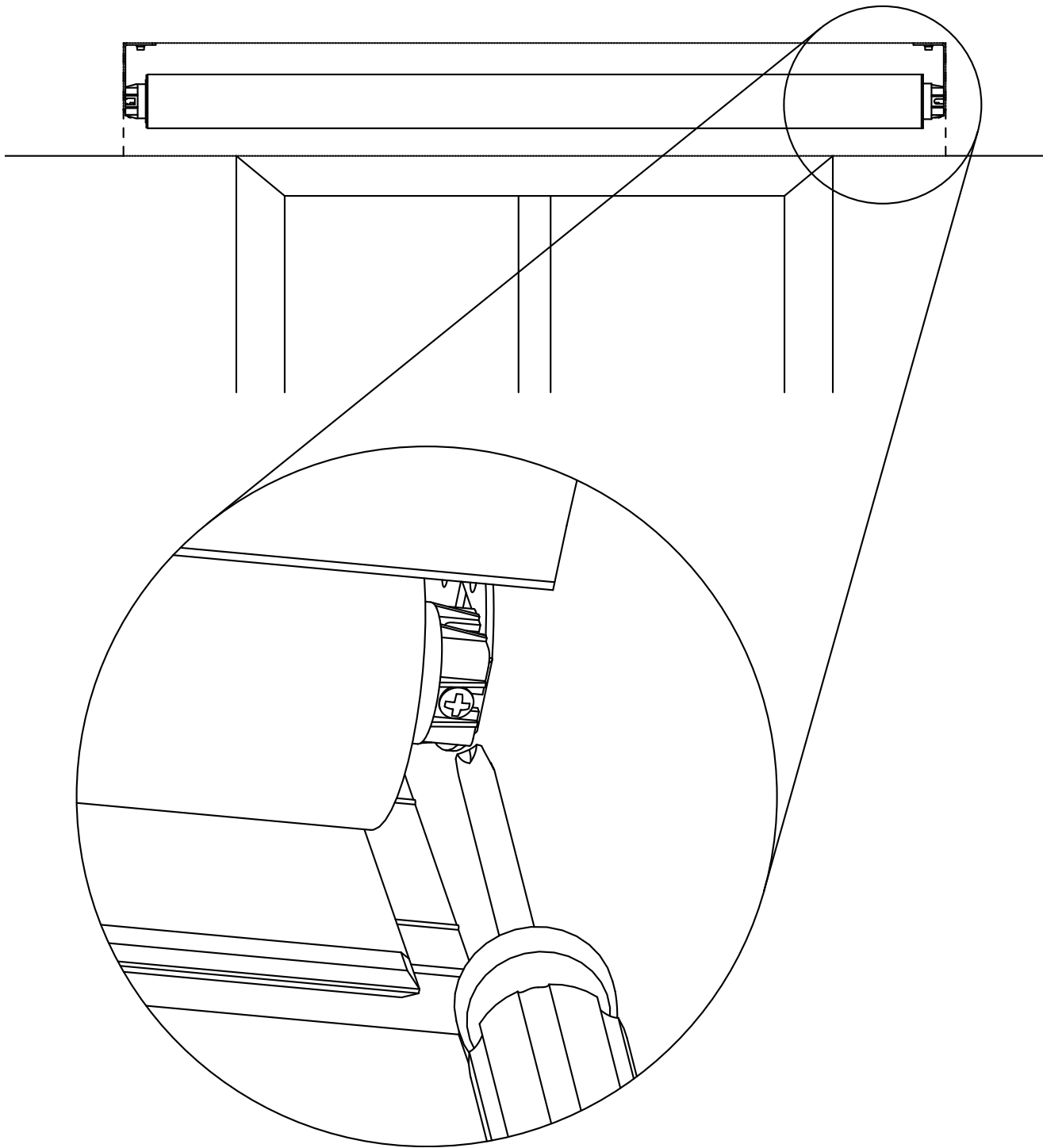
**Note:** The IR receiver should be mounted such that it is in line-of-sight with the remote control and that it does not interfere with the shade.



# 12 Secure and Check the Shade

## 12.1

Tighten retaining screws in each bracket to secure the shade.



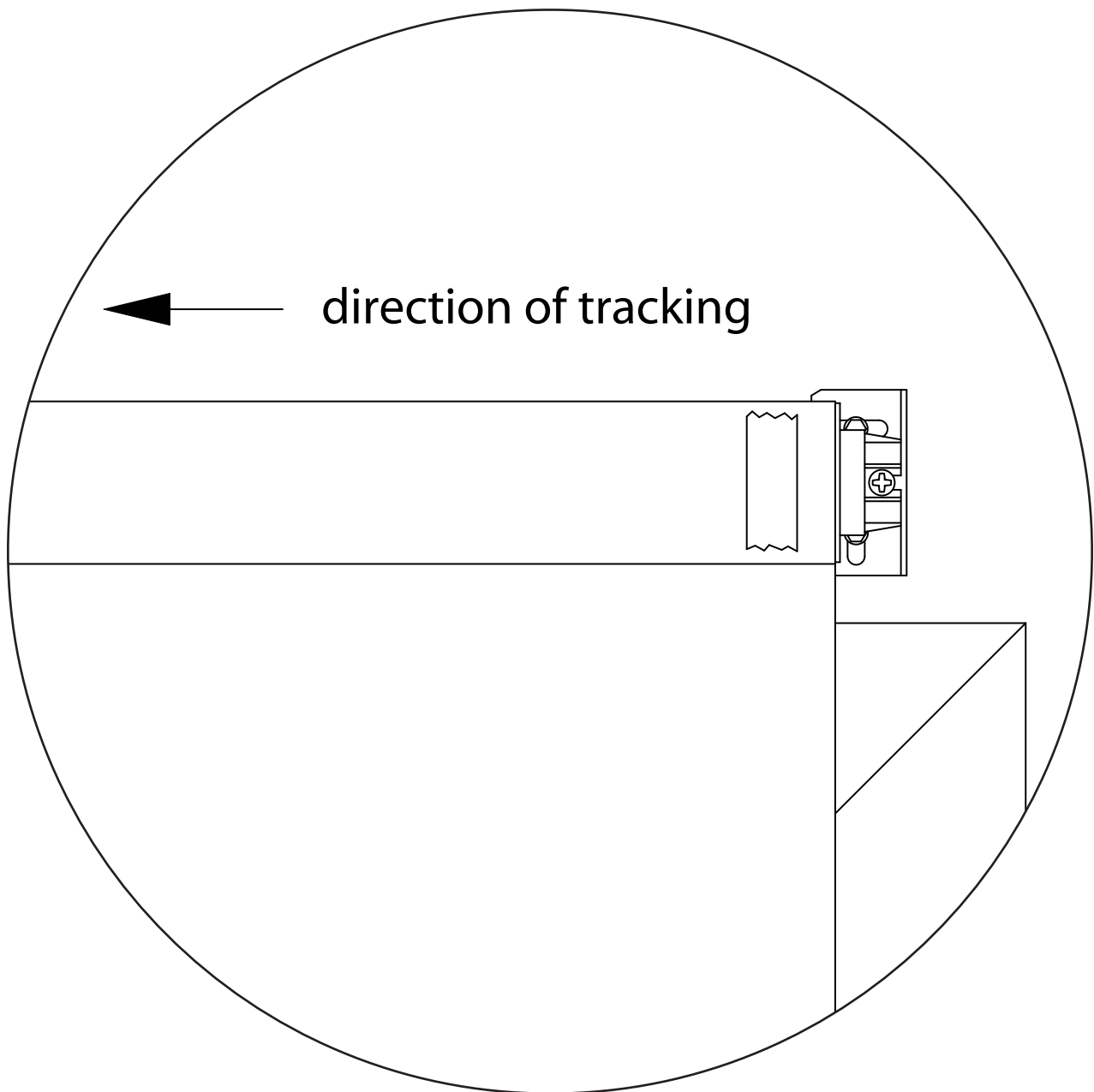
## 12.2 Secure and Check the Shade (continued)

Reconnect power to the shade power supply.

Use the programming stylus to run the shade up and down using the adjustment buttons (↕), re-level if needed.

Observe: Pay careful attention to the shade roll up to ensure that it does not telescope extremely to one side or the other.

Tip: Slight telescoping is normal. However, if the shade is telescoping severely to one side and it is level, press the “Close Limit Button” (■), and lower the shade all the way down using the adjustment buttons (↕). Place a piece of tape on the side of the tube that the fabric is telescoping away from when finished press the “Close Limit Button” (■) once. This technique is referred to as “SHIMMING”. The shade will always track towards the side that the tape (shim) is placed on.




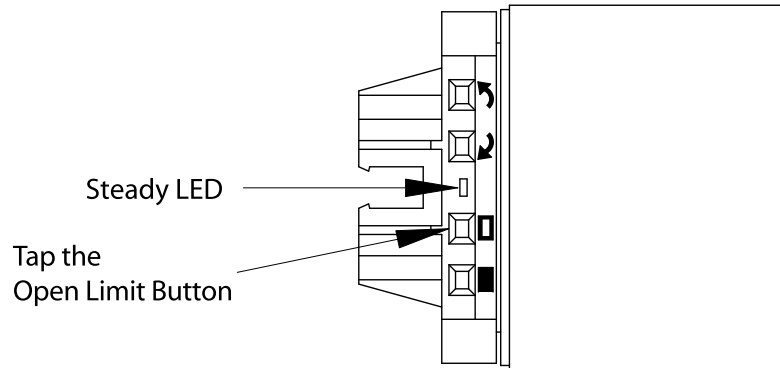
# 13 Setting Limits from the EDU

## Setting the Open Limit from the EDU



**Note:** Setting the Open Limit lower than the Close Limit will cause the shade to move down when raise is pressed and up when lower is pressed.

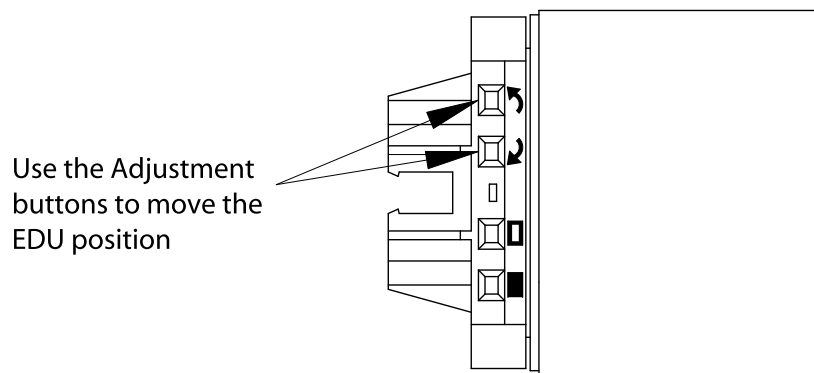
### 13.1

Tap the “Open Limit Button” (  ), the green LED on the roller shade EDU will turn on steady, indicating that the EDU is in “Set Open Limit Mode.”




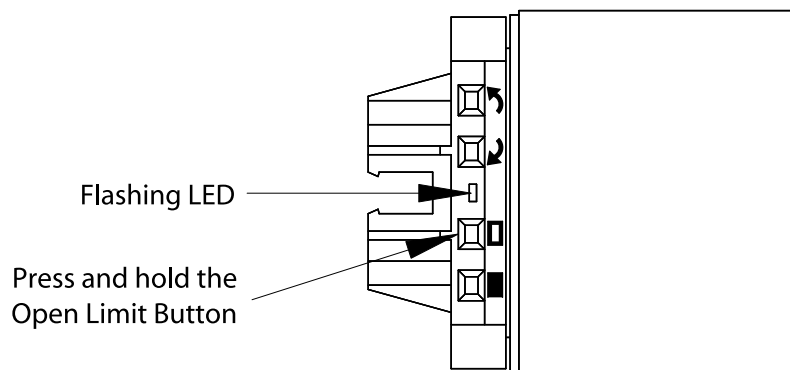
### 13.2

Adjust the position of the EDU to the desired Open Limit using the adjustment buttons (   ).



### 13.3

Press and hold the “Open Limit Button” (  ) for 5 seconds. The green LED on the roller shade EDU will flash for 2 seconds, then go dark, indicating that the current position has been stored as the Open Limit.

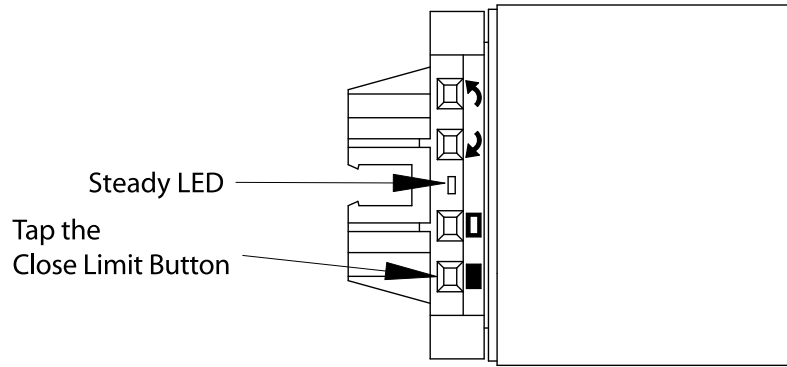


# 13 Setting Limits from the EDU (continued)

## Setting the Close Limit from the EDU

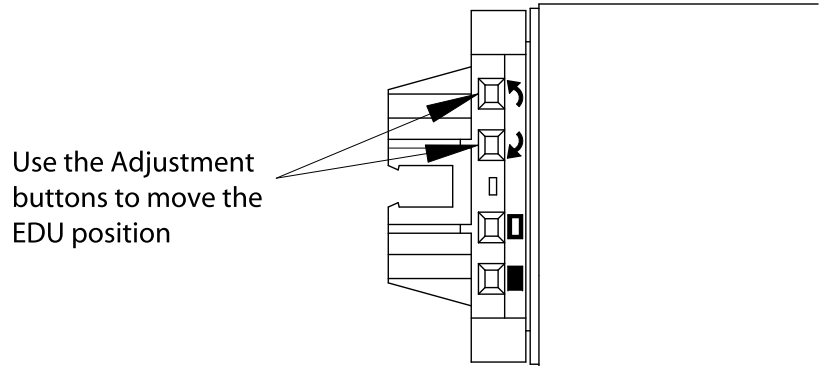
### 13.4

Tap the “Close Limit Button” (■). The green LED on the roller Shade EDU will turn on steady, indicating that the EDU is in “Set Close Limit Mode”.



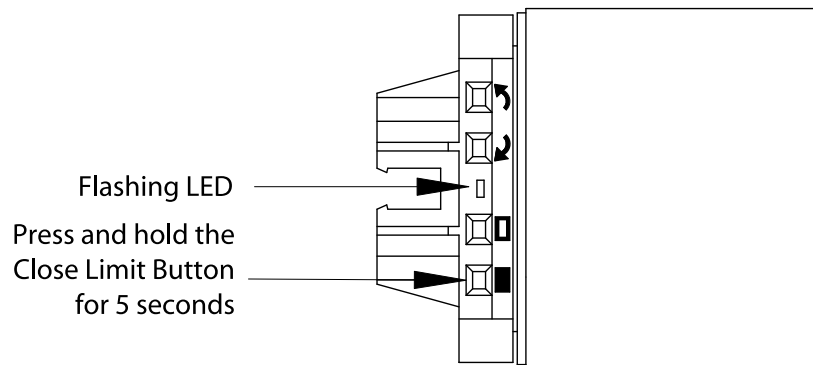
### 13.5

Adjust the position of the EDU to the desired Close Limit using the adjustment buttons (↶↷).



### 13.6

Press and hold the “Close Limit Button” (■) for 5 seconds. The green LED on the roller shade EDU will flash for 2 seconds, then go dark, indicating that the current position has been stored as the Close Limit.

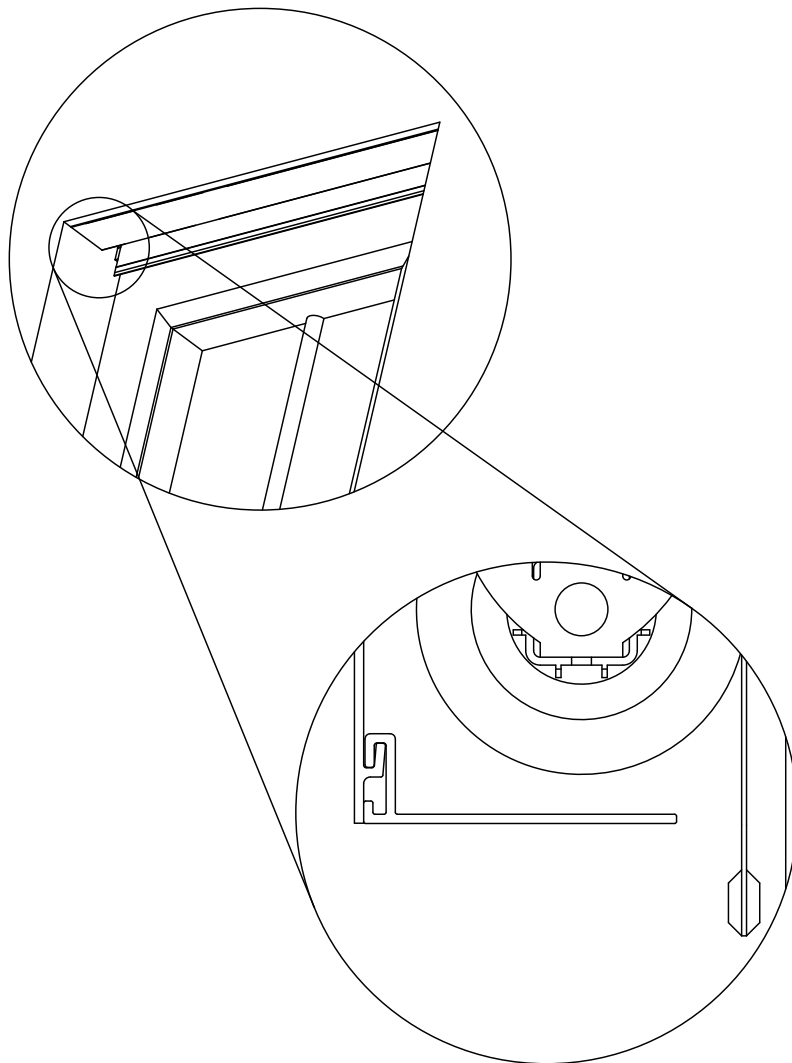


# 14

## Install the Pocket Flap (if applicable)

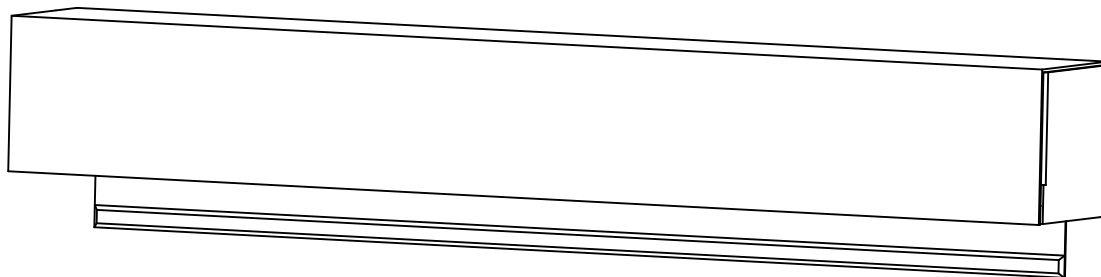
### 14.1

Lift the pocket flap inside the pocket and hook it on the hanger. Pivot the flap down until it is fully seated.



### 14.2

Ensure the shade does not rub on anything.



# 15 Finish System Programming

The Sivoia QED shade is now installed, wired, and the OPEN/CLOSE limits for each shade have been set.

The next step is to finish programming the system.

Use the instructions in the **Wiring and Programming Guide** (p/n 045-038) or the **Technical Reference Guide** (p/n 367-592) and perform these four easy steps:

1. **Address the system.** This gives each EDU, keypad and contact closure interface in the system a unique address number or “name”, allowing proper communication between components.
2. **Verify wiring** of each EDU, keypad and interface using the LED feedback from each system component during addressing.
3. **Assign shades** (EDUs) to keypads, IR hand controls and/or contact closure interfaces. Tell the system which shades (EDUs) respond to which keypads, IR hand controls and contact closure interfaces.
4. **Set and save PRESET shade positions** if you desire them to be different from the factory defaults.

**Note:** Before addressing, all keypads will control all shades. This can be used to verify proper wiring and communication.

# 16 Troubleshooting

<u>Symptom</u>	<u>Solution</u>
Shade will not move...	...EDU is not powered - check EDU Power. ...Shade is caught on something - free shade. ...Shade is not assigned to keypad, IR, or CCI.
Shade does not fully open or fully close...	...Limits have been set incorrectly - refer to “set open limit” and “set close limit” sections. ...Shade fabric is caught on something - free shade.
Fabric not level...	...Check that brackets are mounted level. ...Check that pocket is level. ...Check that fabric is tracking correctly on the shade tube.
Fabric not centered over window...	...Check that brackets are centered.
Shade does not move smoothly...	...Check for binding of shade fabric on side channels. ...Check fabric tracking.
IR controls will not operate shade....	...IR transmitter does not have line-of-sight to IR receiver. ...Out of range - move to within 40 feet (12m) of IR receiver. ...EDUs not assigned to IR receiver. ...IR receiver not plugged into any EDU within range. ...IR remote control batteries are not providing power, replace them.

## Technical Assistance

### WORLD HEADQUARTERS

Lutron Electronics Co., Inc.  
7200 Suter Road  
Coopersburg, PA 18036  
United States  
Tel: +1-610-282-3800  
Fax: +1-610-282-1243

### EUROPEAN HEADQUARTERS

Lutron EA Ltd.  
6 Sovereign Close  
London, E1W 3JF  
United Kingdom  
Tel: +44-(0)20-7702-0657  
Fax: +44-(0)20-7480-6899

### CUSTOMER SERVICE/ORDERING

UK +44-(0)20-7702-0657 –  
09.00 - 18.00 GMT  
USA +1-800-446-1503 –  
08.00 - 20.00 EST

### CUSTOMER SERVICE /E-MAIL

shadinginfo@lutron.com

### TECHNICAL SUPPORT & SERVICES

USA +1-800-523-9466 –  
24 hours/7 days  
UK +44-(0)20-7702-0657  
09.00 - 18.00 GMT

### INTERNET:

www.lutron.com

### ADDITIONAL LUTRON SALES OFFICES:

#### Germany

Tel: +49-309-710-4590  
Fax: +49-309-710-4591  
FREEPHONE  
00800-5887 6635

#### France

Tel: +33-(0)1-44-70-71-86  
Fax: +33-(0)1-44-70-70-97  
FREEPHONE 0800-90-12-18

#### Spain-Madrid

Tel: +34-91-567-84-79  
Fax: +34-91-567-84-78  
FREEPHONE 0900-948-944

#### Spain-Barcelona

Tel: +34-93-496-57-42  
Fax: +34-93-496-57-50  
FREEPHONE 0900-948-944

#### Hong Kong

Tel: +852-2104-7733  
Fax: +852-2104-7633

#### Beijing

Tel: +86-10-5877-1817  
Fax: +86-10-5877-1816

#### Shanghai

Tel: +86-21-6288-1473  
Fax: +86-21-6288-1751

#### Singapore

Tel: +65-6220-4666  
Fax: +65-6220-4333

#### Japan

Tel: +81-3-5575-8411  
Fax: +81-3-5575-8420

## Limited Warranty

Lutron offers an 8-year limited warranty for our shading systems. Please contact customer service or visit our website for a complete warranty statement.

Lutron reserves the right to make improvements or changes to these products without prior notice. Although every attempt is made to ensure that this information is accurate and up to date, please check with Lutron to confirm product availability, the latest specifications, and suitability for your application.

These products may be covered by one or more of the following US patents:

6,983,783

and corresponding foreign patents.  
US and foreign patents pending.

Lutron, the Sunburst logo, and Sivoia are registered trademarks, and Sivoia QED is a trademark of Lutron Electronics Co., Inc.

©2005 LUTRON Electronics Co., Inc.  
Printed in the U.S.A.  
P/N 045-109 REV. B