

**Sivoia QED™
Roller 64™
Fascia and
Top/Back Cover**

Installation
Instructions

Sivoia QED™ | Roller 64™ Fascia and Top/Back Cover

Installation Instructions

Tools Required:

- | | |
|-------------------------|----------------------|
| Tape Measure | 1/4" Hex-Head Driver |
| Wire Cutter/Stripper | Level |
| Pliers | Power Drill |
| #2 Phillips Screwdriver | |

Notes:

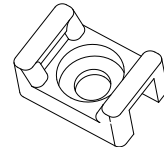
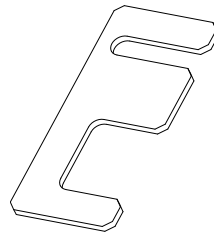
- 1) Complete wiring and programming information can be found in the Sivoia QED Wire and Programming Guide, P/N 045-038 or at www.lutron.com.
- 2) The Electronic Drive Unit (EDU) will need to be powered to complete installation.

Box Contents:

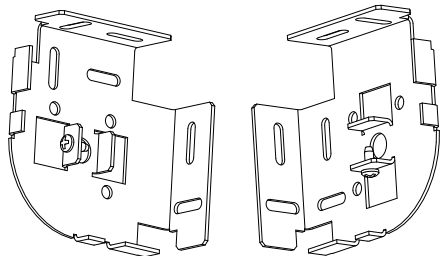
Sivoia QED™ Roller 64



(2) Bracket Leveling Spacer (2) Cable Tie Anchor



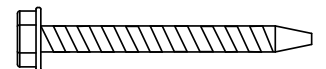
Fascia Brackets with Retaining Screws



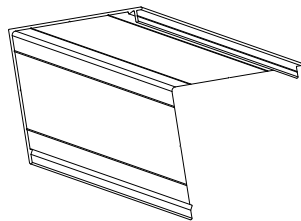
(1) 7 Pin Terminal Block



(5) Mounting Screws
(#8x1-3/4" (#8x44mm)
Hex Head Screws)



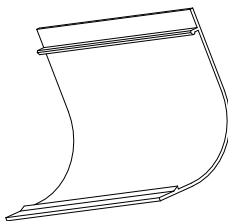
(1) Top/Back Cover (if applicable)



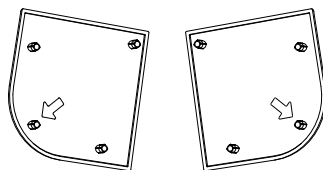
(2) 4" (102mm) Cable Ties



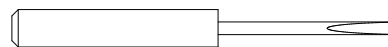
(1) Fascia



(2) Fascia Endcaps (if applicable)



(1) Screwdriver



(1) Programming Stylus



Sivoia QED™ | Roller 64™ Fascia and Top/Back Cover

Installation Instructions (continued)

Warning: Incorrect installation can lead to severe injury, follow all installation instructions.

Notes:

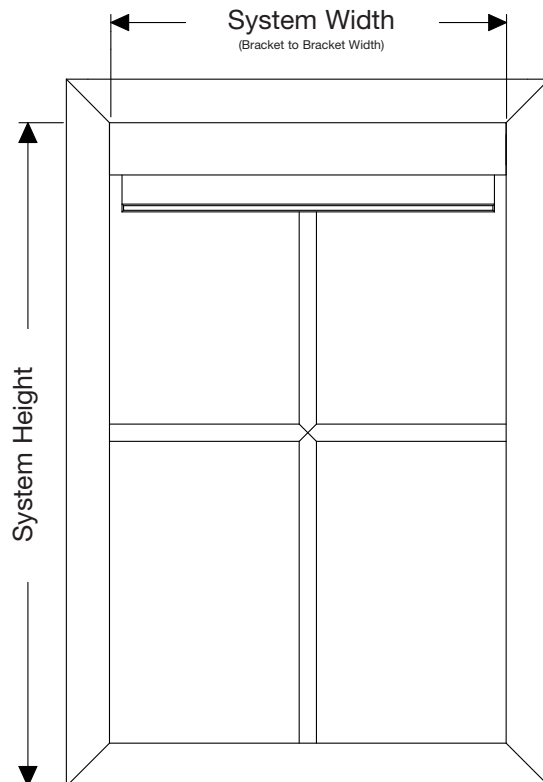
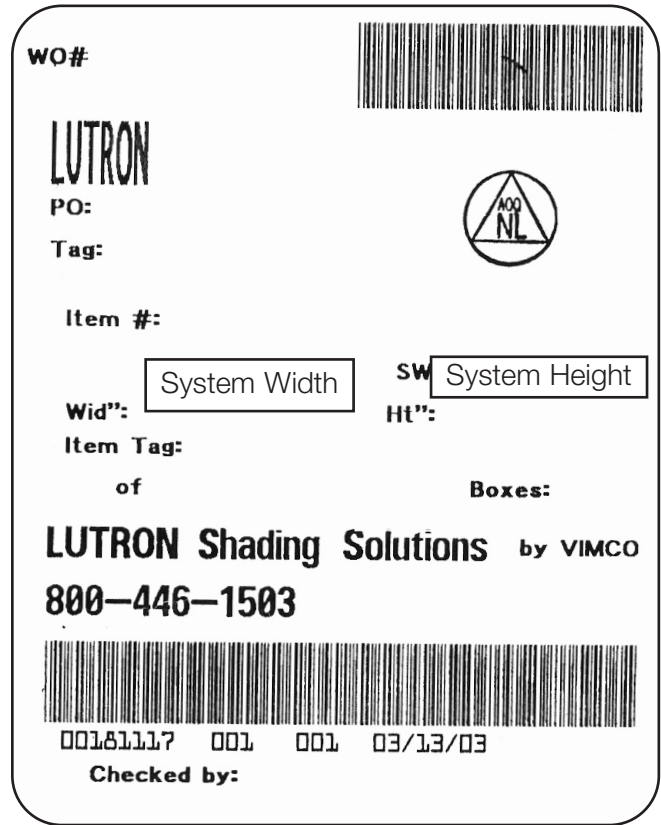
- The Sivoia QED Roller 64 must be used only with window systems approved by Lutron.
- There must be a clearance of at least 1.3 feet (0.4 meters) between the fully lowered system and any permanent object.
- Installation shall be executed by a qualified electrician according to national wiring rules.
- Before shade installation, remove any unnecessary cords and disable any equipment not needed for powered operation. The Sivoia QED Roller 64 has a maximum rated operating time of 8 min.
- The Sivoia QED Roller 64 must be used only with window systems approved by Lutron, and should not be taken apart from the window system.
- **Codes:** Install in accordance with all local and national electrical codes.
- **Environment:** Ambient operating temperature: 0-40°C, 32-104°F, 0-90% humidity, non-condensing. Indoor use only.

1 Confirm System Dimensions

Package Label

1.1

Compare system dimensions on the package label with the window dimensions to verify appropriate window/shade combination.



2

Mount Top/Back Cover

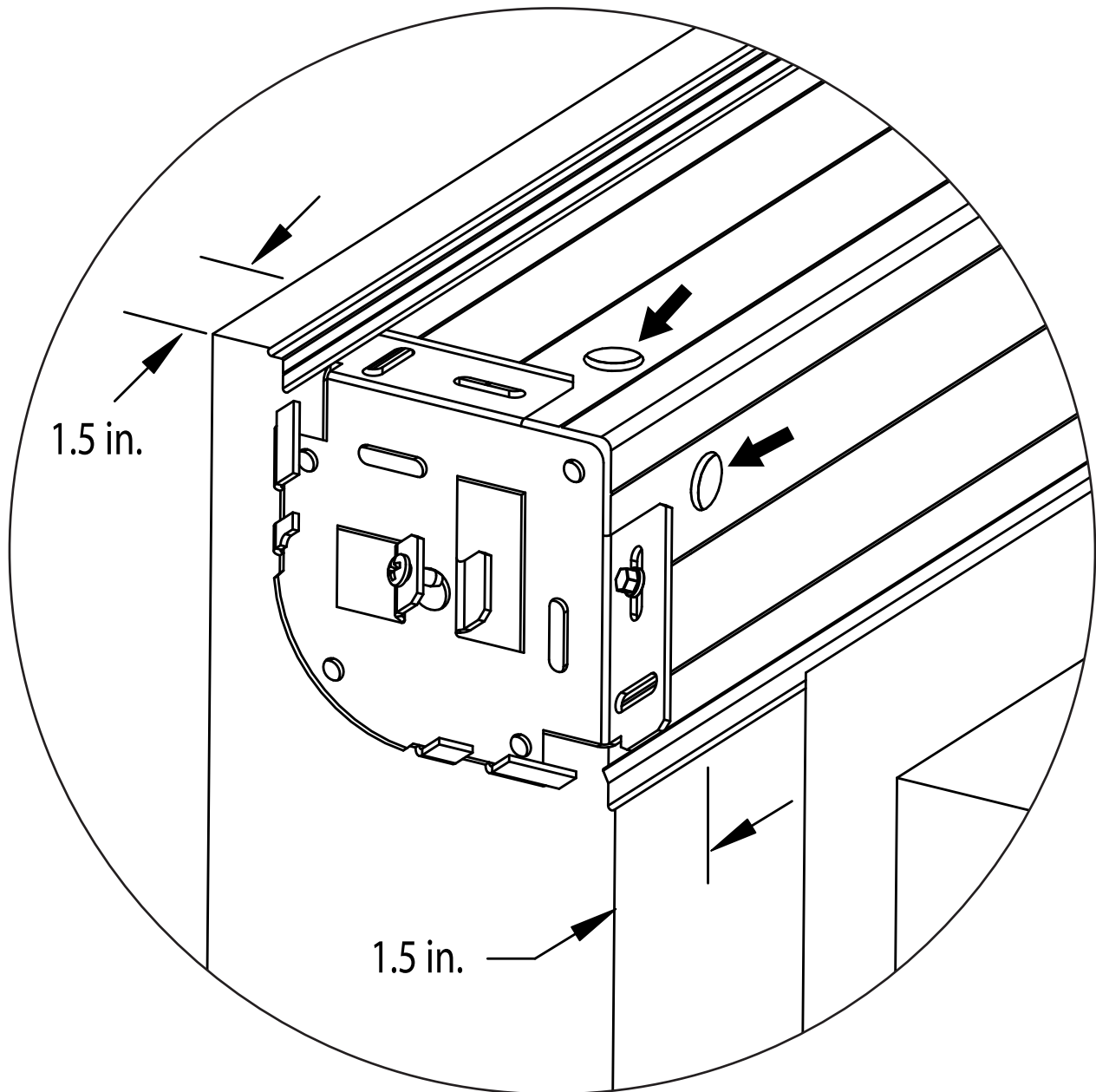
⚠ DANGER - Locate and lock breaker to the shade power supply in the OFF position or unplug the power plug-in transformer before doing any wiring.

2.1

Pre-drill top/back to allow clearance for the wires without interfering with the bracket. Follow figure below for suggested hole locations.

Note: Hole should be large enough to allow adjustment during install without pinching the wire.

Note: Cable should exit from EDU side of the system.



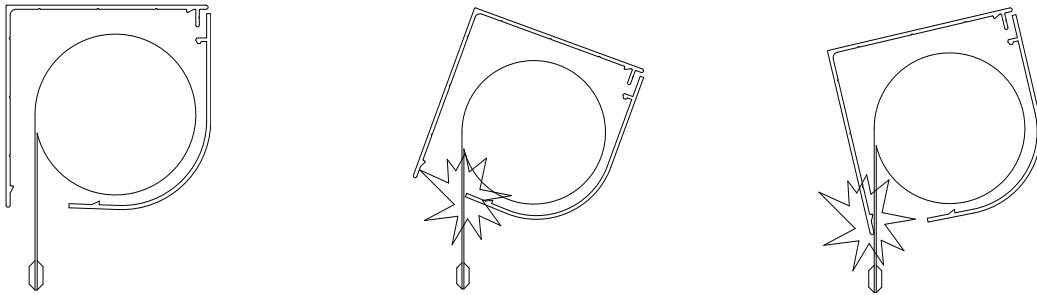
2

Mount Top/Back Cover (continued)

2.2

Verify mounting surface is level/plumb before attaching top/back cover.

Note: Top/back cover may rub fabric if installed with an improper tilt or may cause flap to fall.



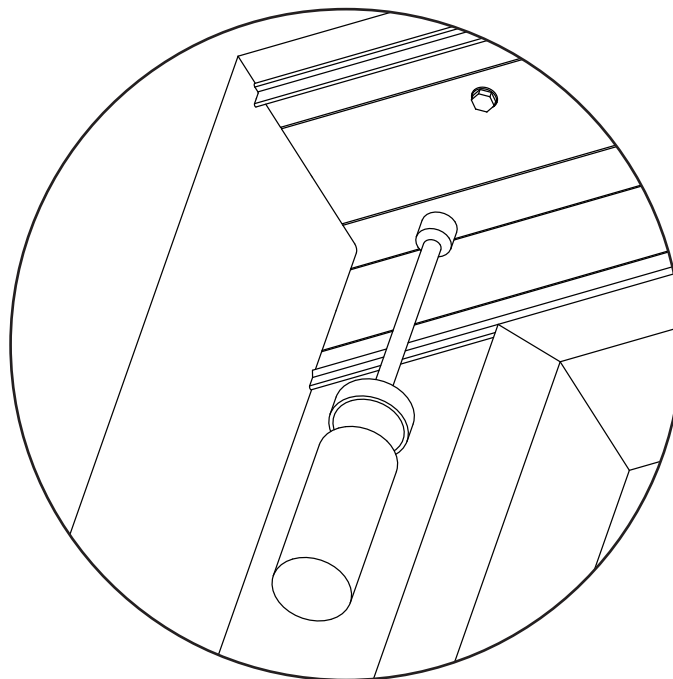
2.3

Mount the top/back cover using the appropriate fasteners. The ceiling side of the top/back cover is the side with the larger of the two snapping tabs.

Note: The clearance hole for the wires and the screws must be at least 1.5" (38mm) from system end to avoid mounting brackets.

Note: Be sure to pull cable through hole in pocket while mounting.

Note: The top/back cover should be mounted to support at least 300lbs (136kg). The fasteners provided may not be appropriate for use in all applications.



3

Position the Mounting Brackets

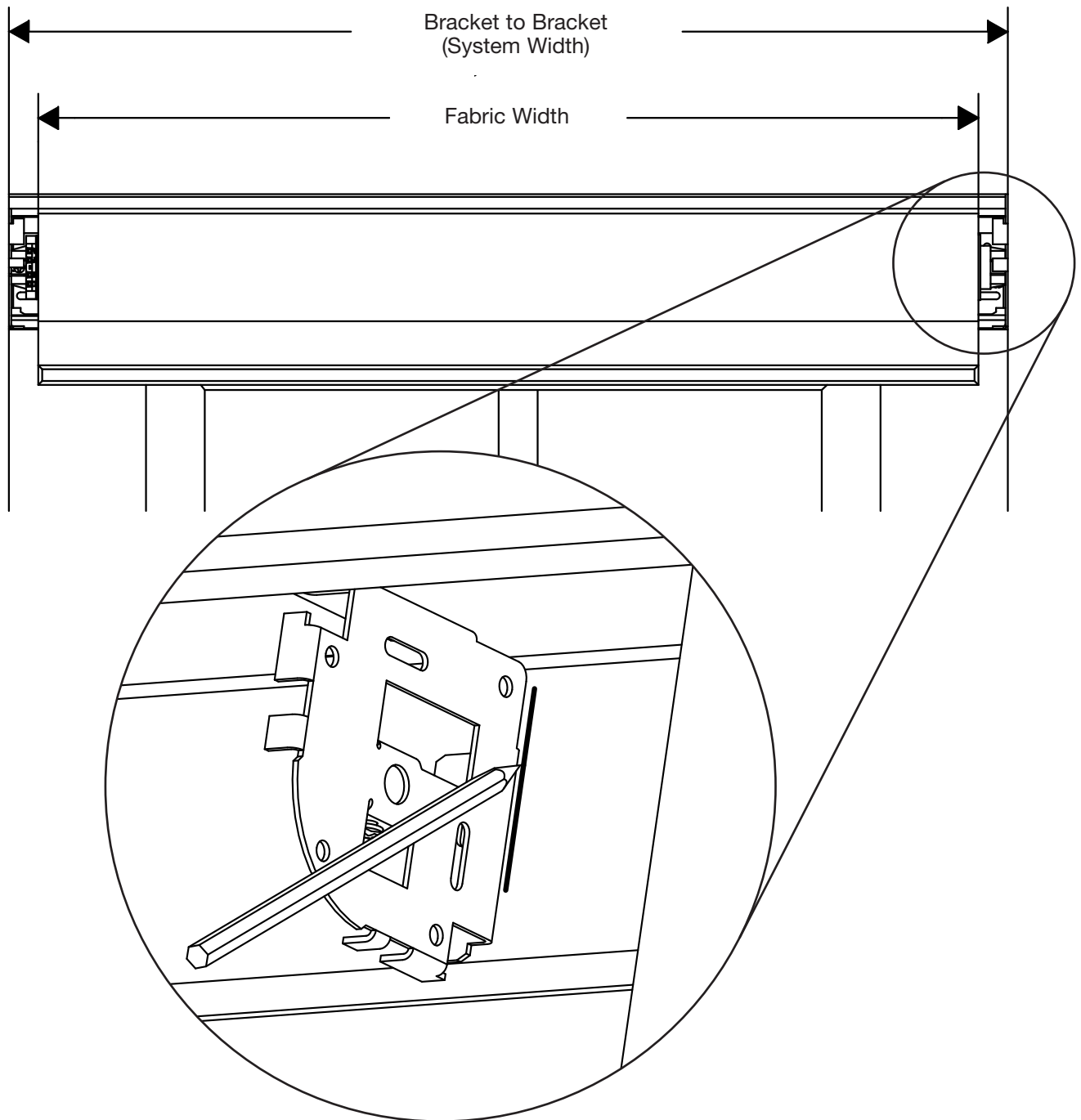
3.1

Mark the location of the mounting brackets so they are centered over the window.

Note: Bracket to Bracket Distance = Fabric Width + 1.5" (38 mm) = System Width.

Note: For a ceiling and jamb mount, allow clearance to prevent fabric from rubbing against trim, window, top treatment, etc.

Note: Wall mount may require blocks to clear trim.



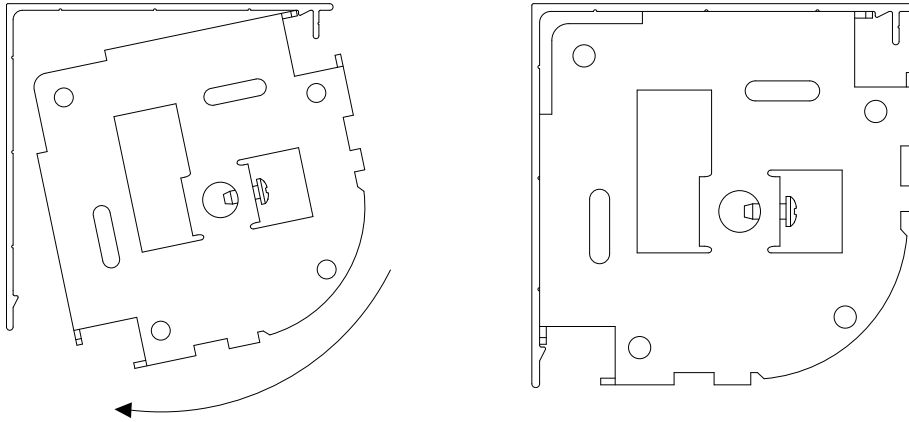
4

Install Fascia Brackets

Note: If not using a top/back cover, go to step 4.2

4.1

Hook the top of the fascia bracket behind the top triangular tab of the top/back cover. Then rotate the bracket until it snaps onto the bottom tab of the top/back cover.

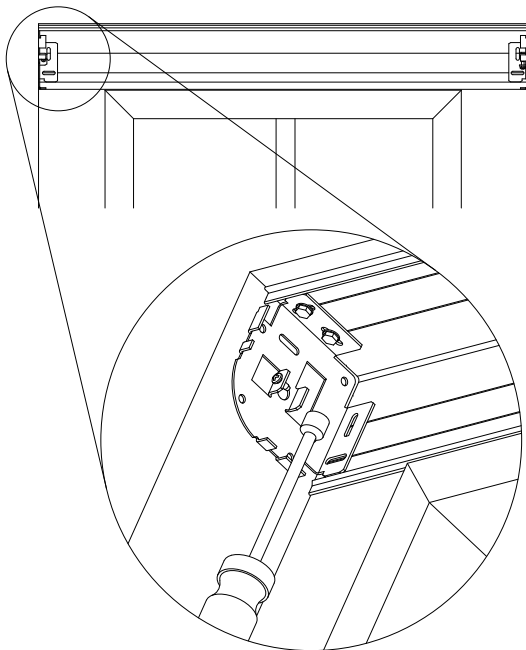


4.2

Mount the brackets.

Note: Put screws in both slots of either a wall mount or ceiling mount.

Note: The brackets should be mounted to support at least 300lbs (138 kg).
The fasteners provided may not be appropriate for use in all applications.

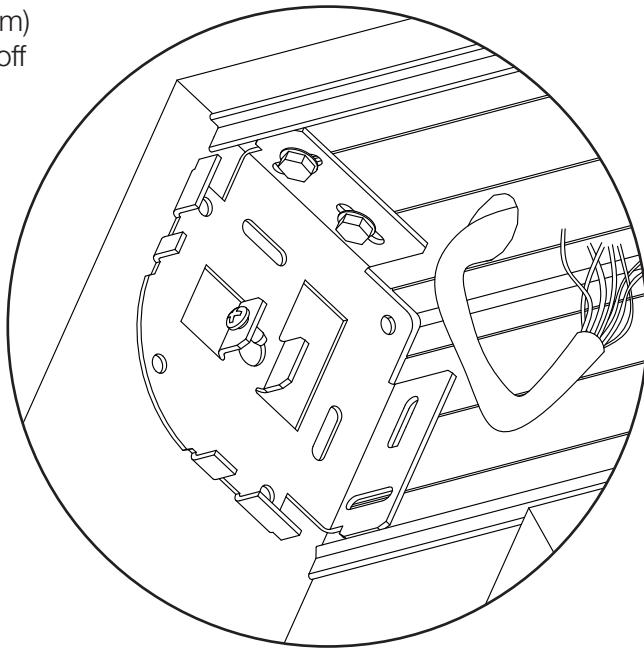


5

Wire 7-Pin Terminal Block

5.1

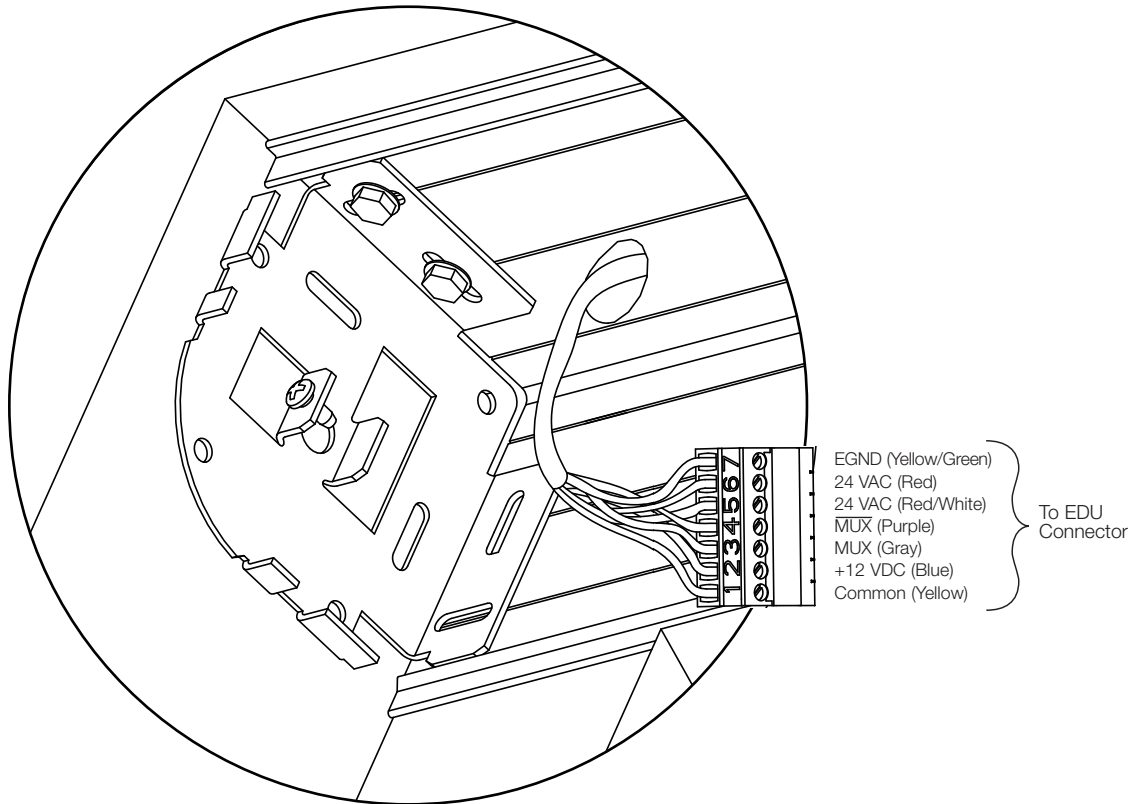
Strip 2" (50mm) of the jacket off the cable run from the wall.



5.2

Wire 7-Pin terminal block (provided) to cable using the included screwdriver.

Note: SVQ-CBL-250 shown.



6

Orient the Buttons and Wiring

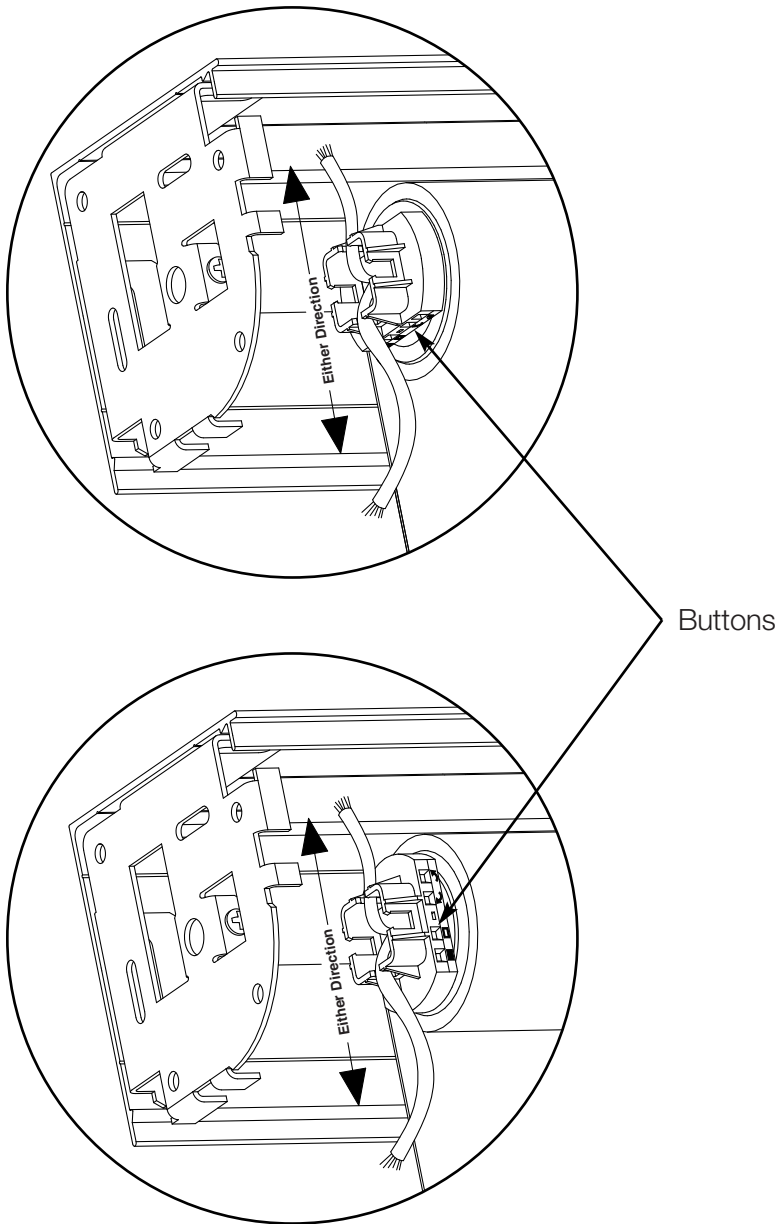
6.1

For the following bracket and button orientations, route the wires as shown.

Note: The buttons should be accessible when the shade is installed.

Note: Make sure the wires are not pinched or damaged.

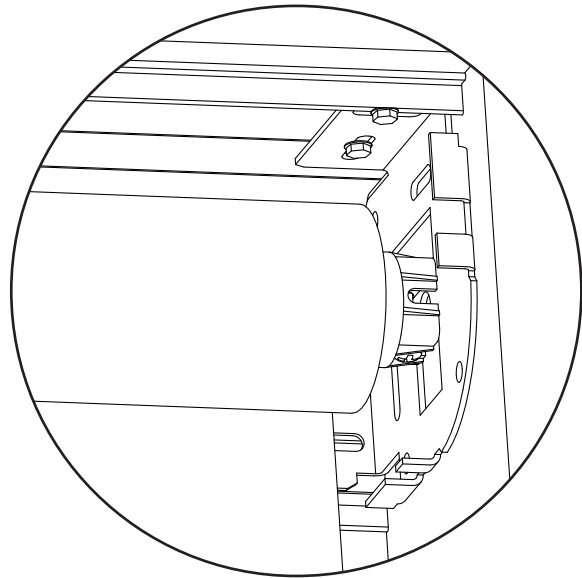
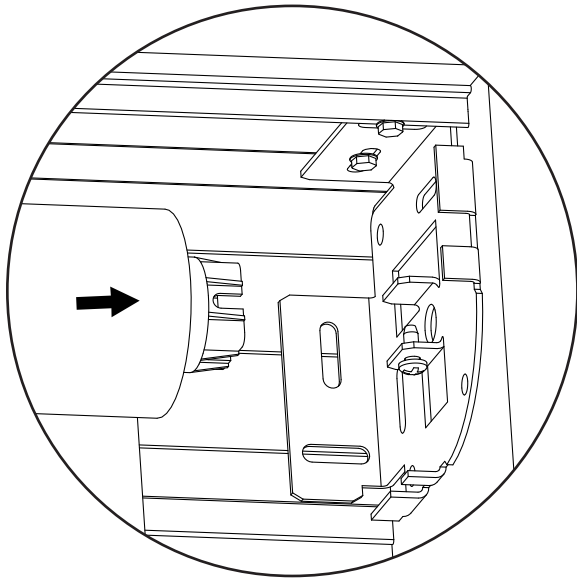
Note: The wires may go in either or both of the indicated slots.



7 Mount the Shade

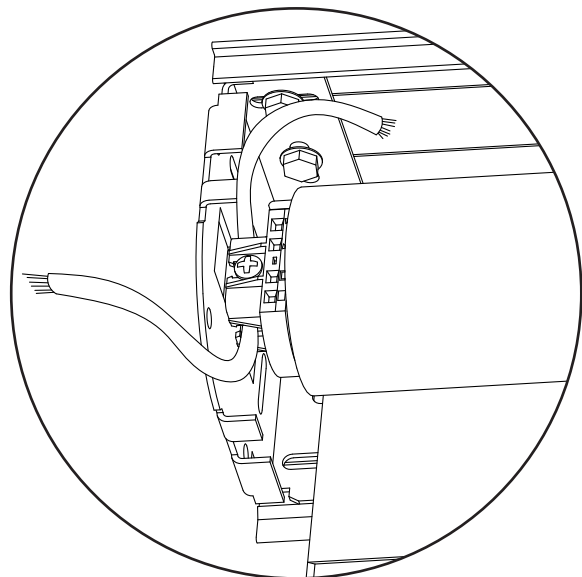
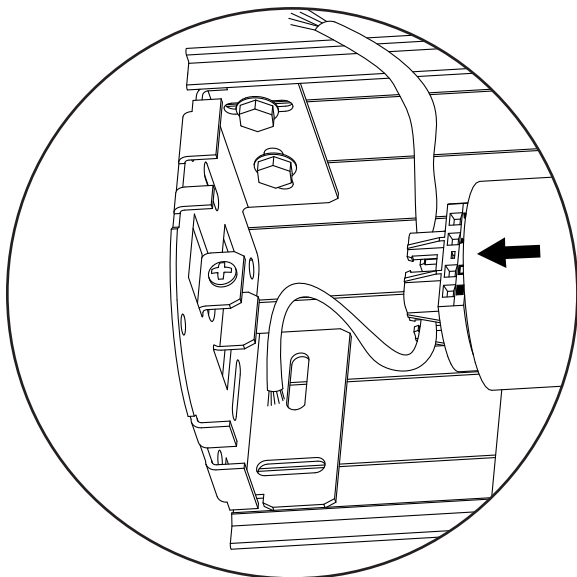
7.1

Install the idler side of the shade onto its bracket.



7.2

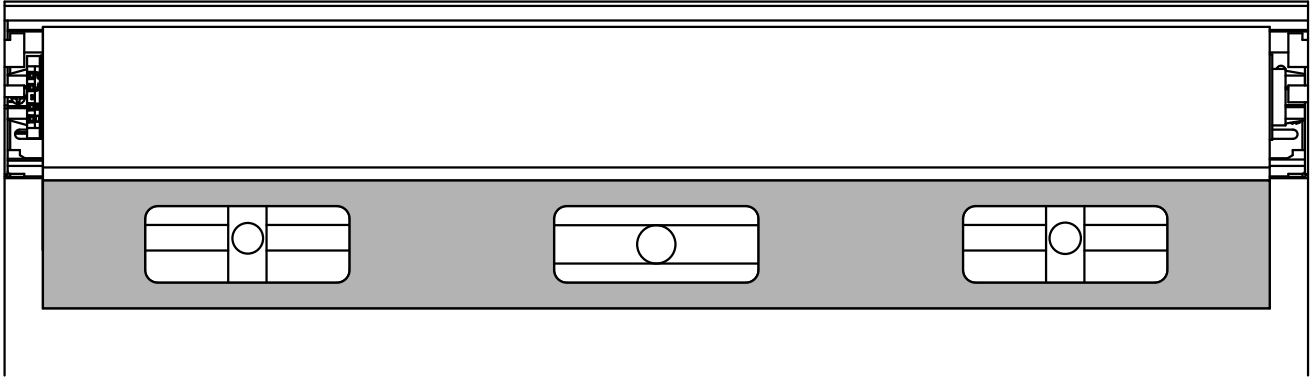
Depress the spring loaded idler and install the EDU side of the shade onto its bracket.



8 Adjust the Shade

8.1

Ensure that the shade is level and centered.



8.2

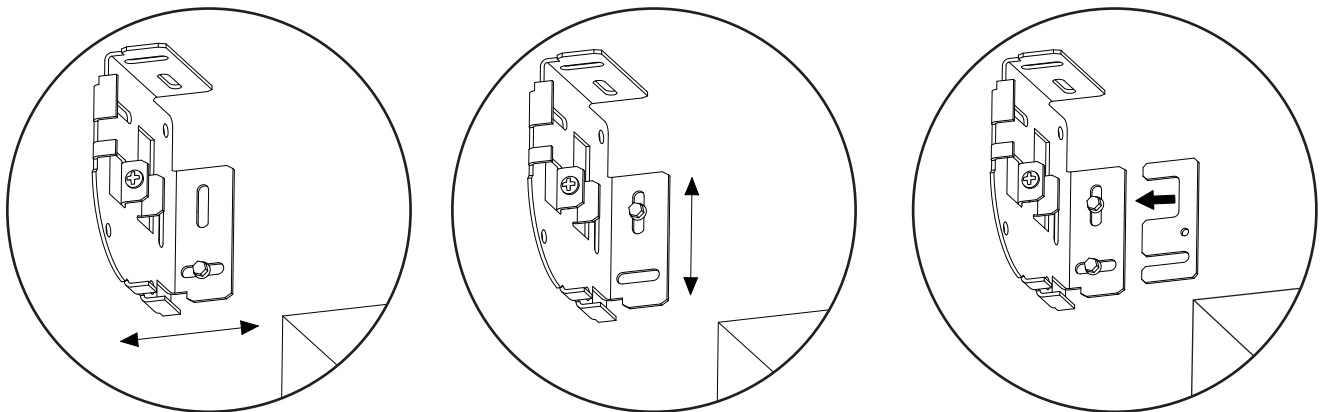
Adjust shade by removing the necessary screws and moving the brackets as needed, or installing bracket leveling spacers.

Note: You may have to remove the shade to access the bracket screws.

Note: If using a top/back cover, only the width is adjustable.

8.3

Reinstall and tighten the screws.



9

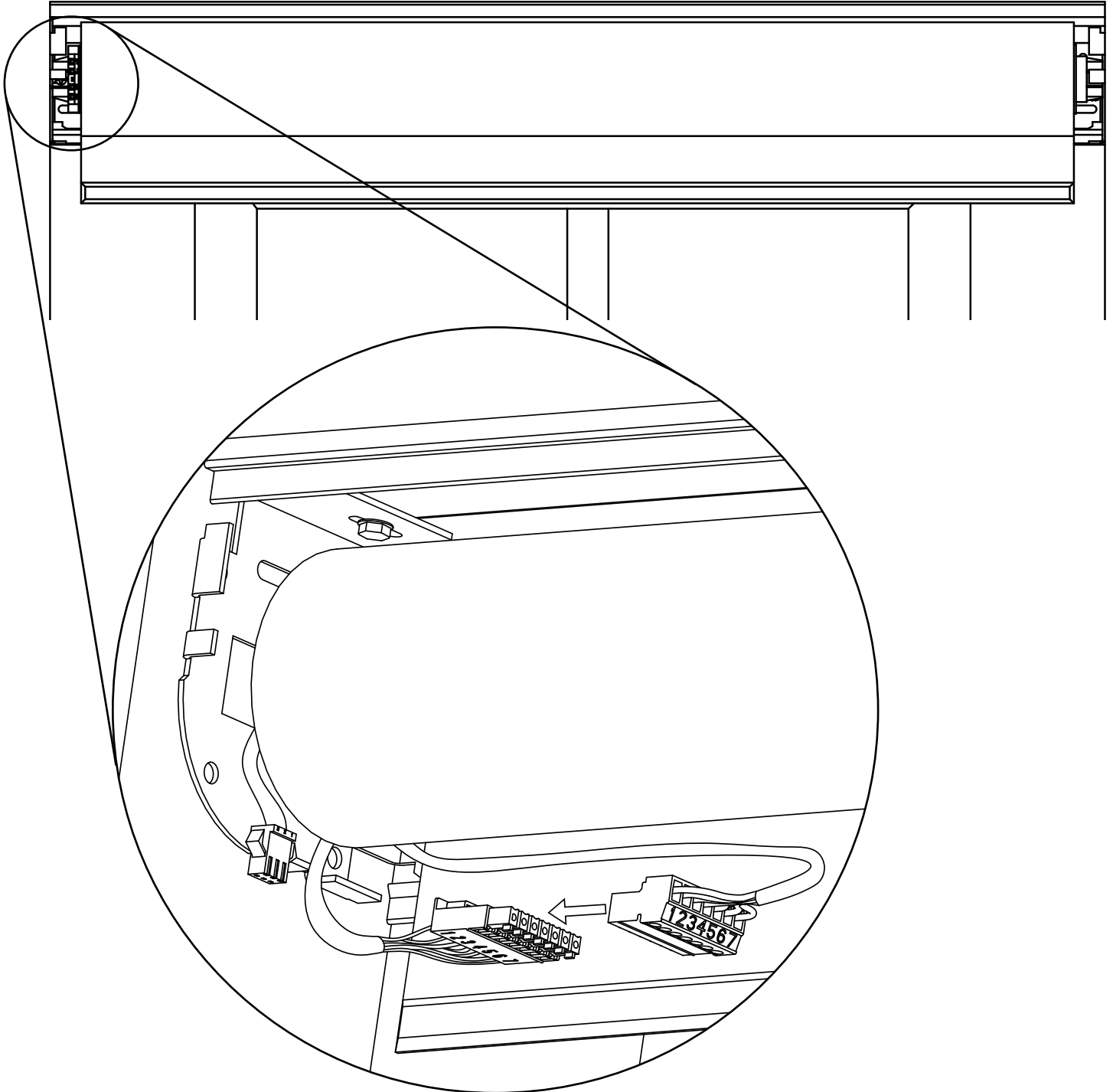
Connect Terminal Blocks

9.1

Plug 7-pin terminal block on cable into EDU terminal block (a cable tie can be used to secure the terminal blocks together).

9.2

Dress wires to ensure fabric does not rub while the shade is moving.



10 IR Receiver Connection (if applicable)

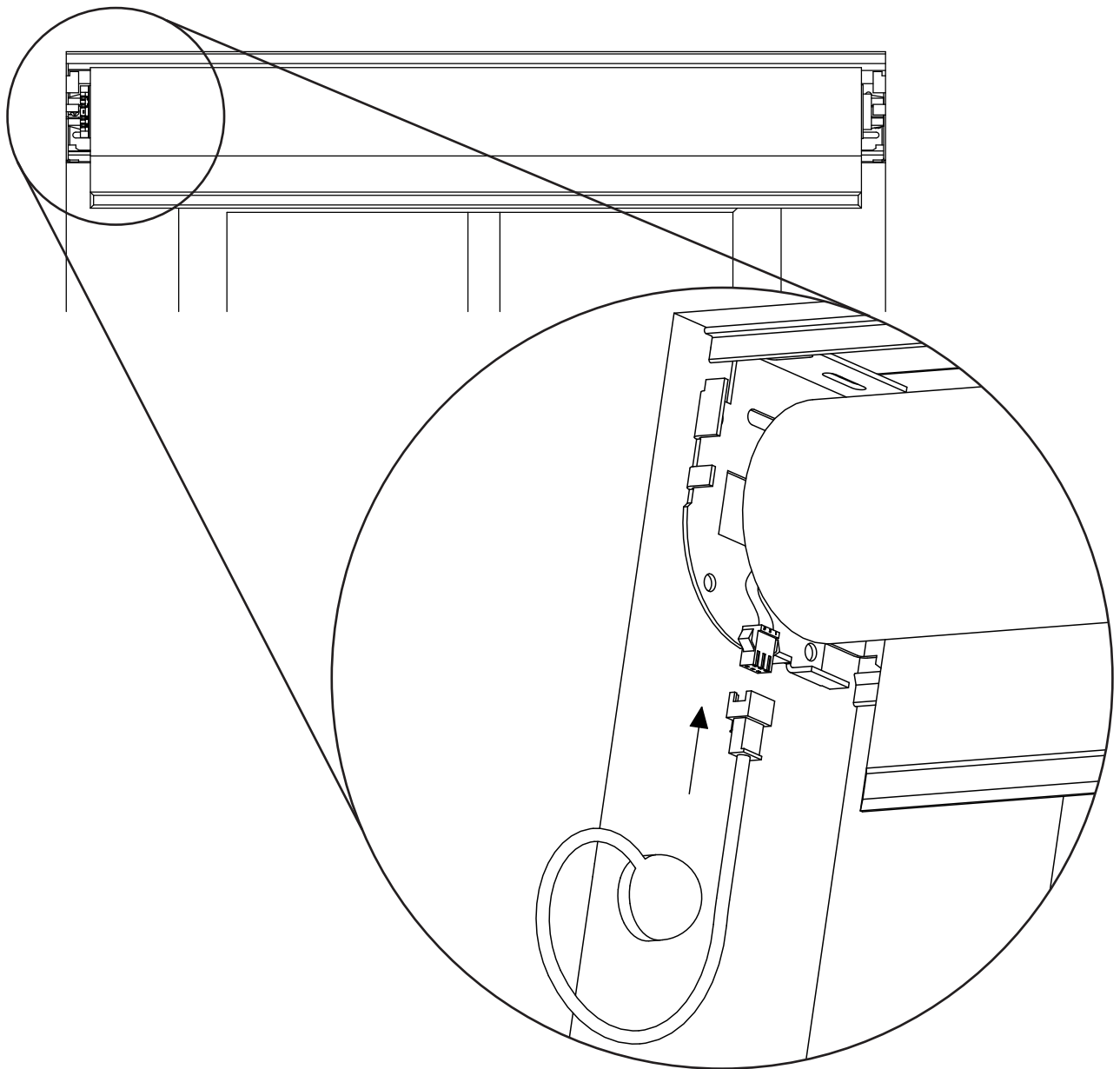
10.1

Plug in the IR receiver.

10.2

Position the IR receiver.

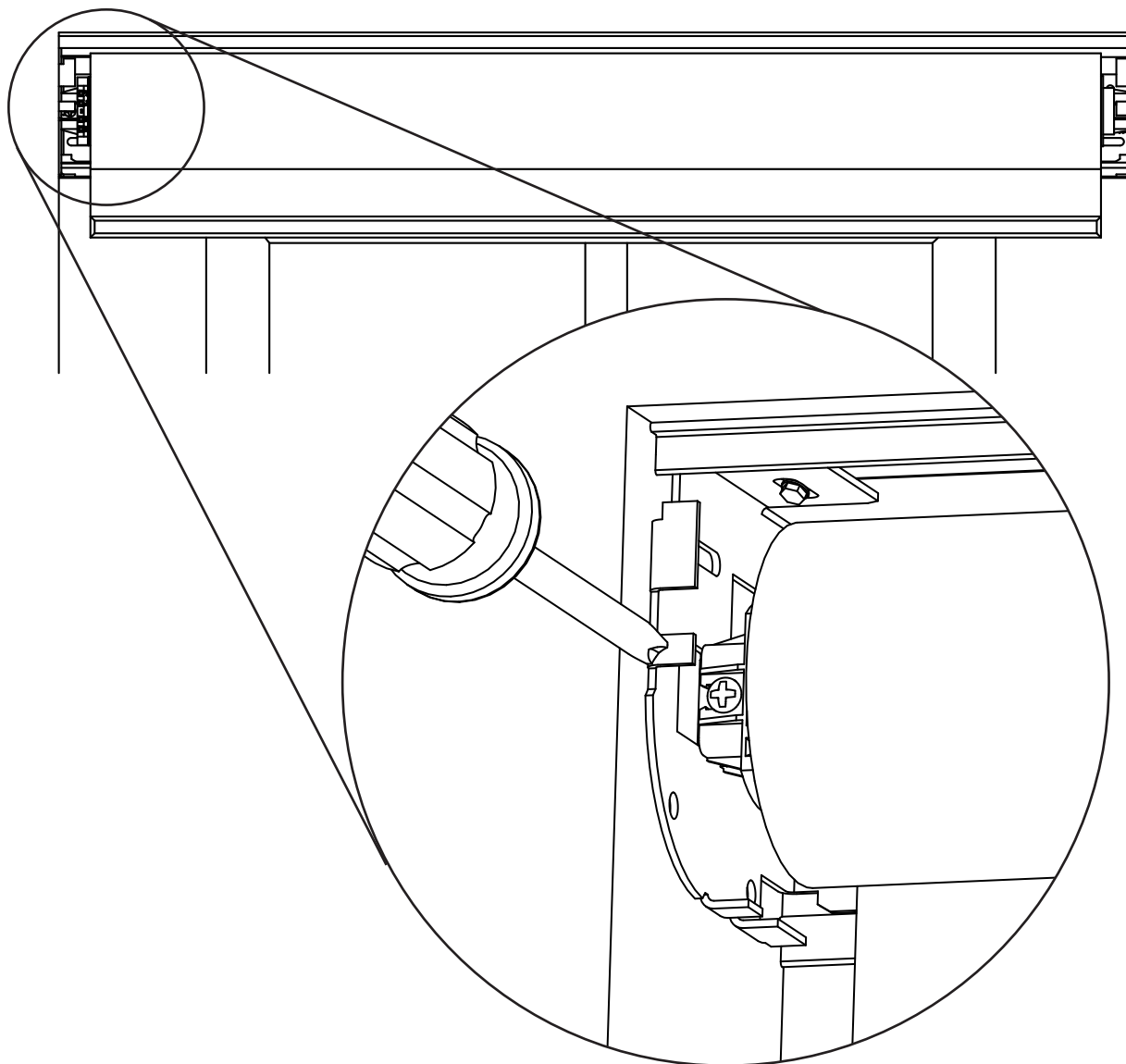
Note: The IR receiver should not be covered from view of the remote control or interfere with the shade.



11 Secure and Check the Shade

11.1

Tighten retaining screws in each bracket to secure the shade.



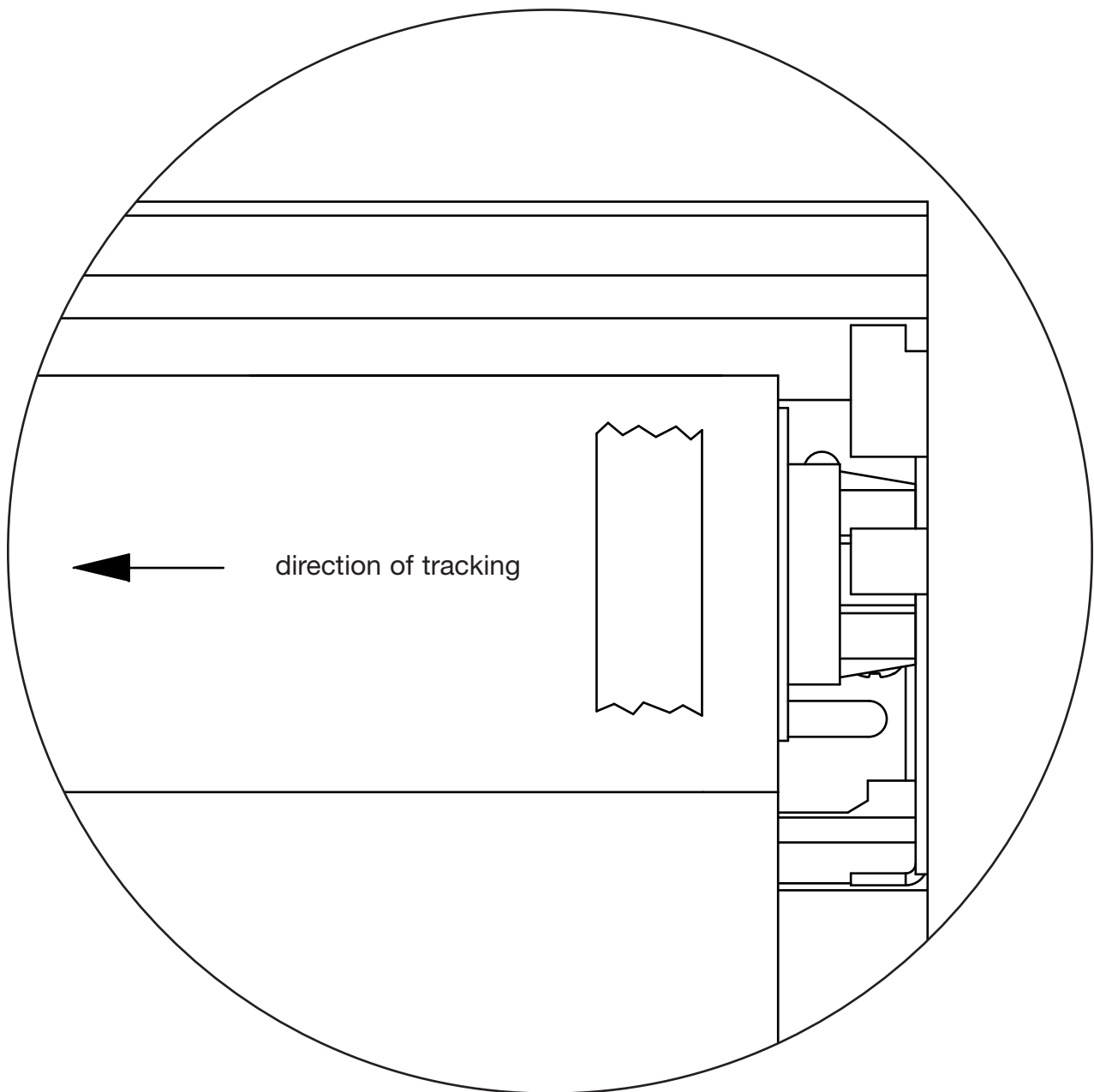
11.2 Secure and Check the Shade (continued)

Reconnect power to the shade power supply.

Use the programming stylus to run the shade up and down using the adjustment buttons (↕), re-level if needed.

Observe: Pay careful attention to the shade roll up to ensure that it does not telescope extremely to one side or the other.

Tip: Slight telescoping is normal. However, if the shade is telescoping severely to one side and it is level, press the “Close Limit Button” (■), and lower the shade all the way down using the adjustment buttons (↕). Place a piece of tape on the side of the tube that the fabric is telescoping away from when finished press the “Close Limit Button” (■) once. This technique is referred to as “SHIMMING”. The shade will always track towards the side that the tape (shim) is placed on.




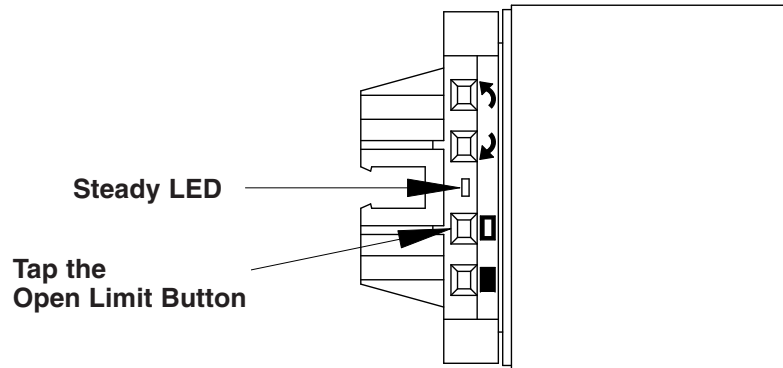
12 Setting Limits from the EDU

Setting the Open Limit from the EDU

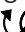
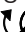
Note: Setting the Open Limit lower than the Close Limit will cause the shade to move down when raise is pressed and up when lower is pressed.

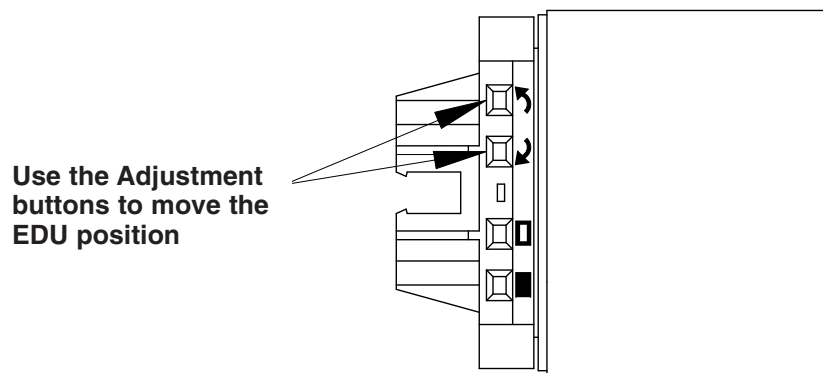
12.1

Tap the “Open Limit Button” (), the green LED on the roller shade EDU will turn on steady, indicating that the EDU is in “Set Open Limit Mode.”




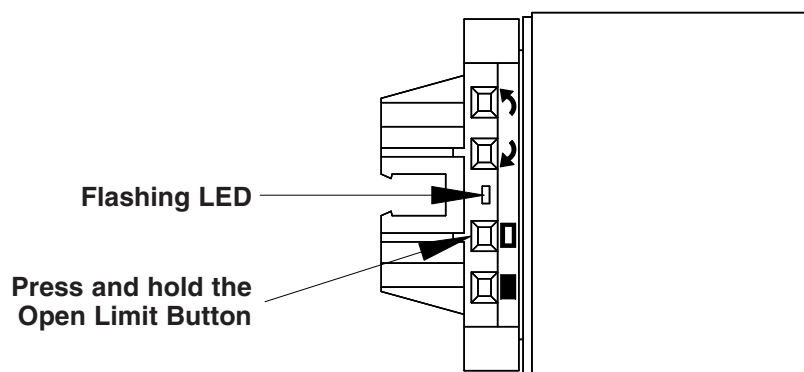
12.2

Adjust the position of the EDU to the desired Open Limit using the adjustment buttons ( ).



12.3

Press and hold the “Open Limit Button” () for 5 seconds. The green LED on the roller shade EDU will flash for 2 seconds, then go dark, indicating that the current position has been stored as the Open Limit.



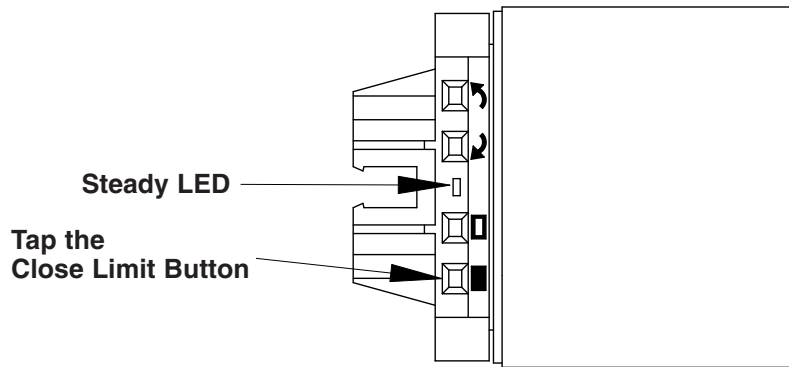
12

Setting Limits from the EDU (continued)

Setting the Close Limit from the EDU

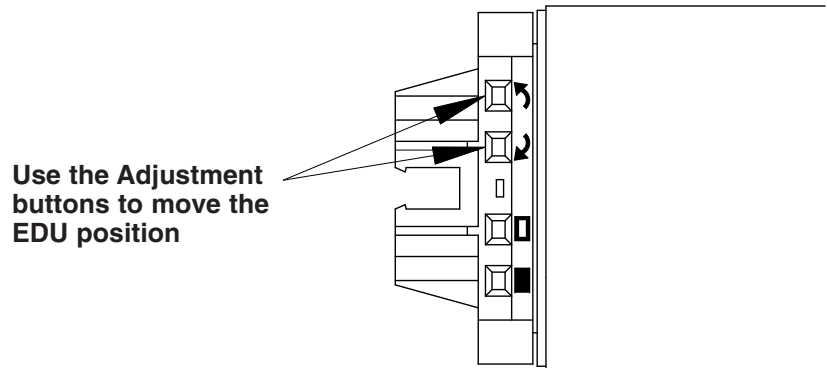
12.4

Tap the “Close Limit Button” (■). The green LED on the roller Shade EDU will turn on steady, indicating that the EDU is in “Set Close Limit Mode”.



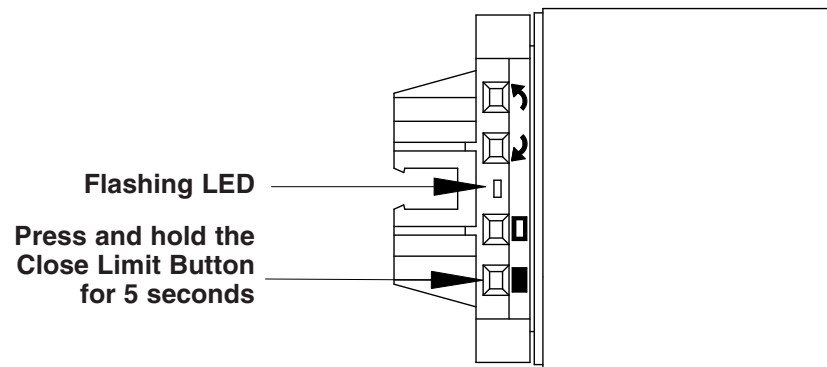
12.5

Adjust the position of the EDU to the desired Close Limit using the adjustment buttons (↕↔).



12.6

Press and hold the “Close Limit Button” (■) for 5 seconds. The green LED on the roller shade EDU will flash for 2 seconds, then go dark, indicating that the current position has been stored as the Close Limit.



13 Attach Fascia

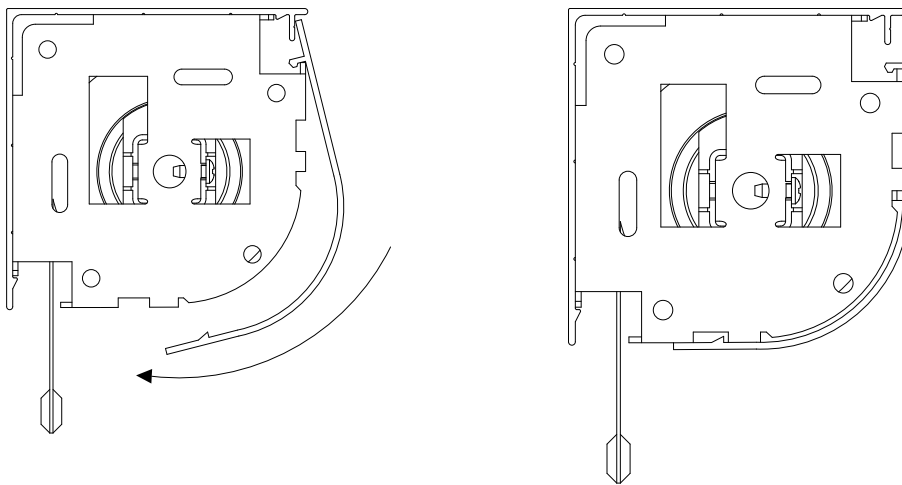
Note: Fascia and endcaps are installed after the shade is mounted and programmed.

13.1

Hook the top tab of the fascia on the bracket as shown.

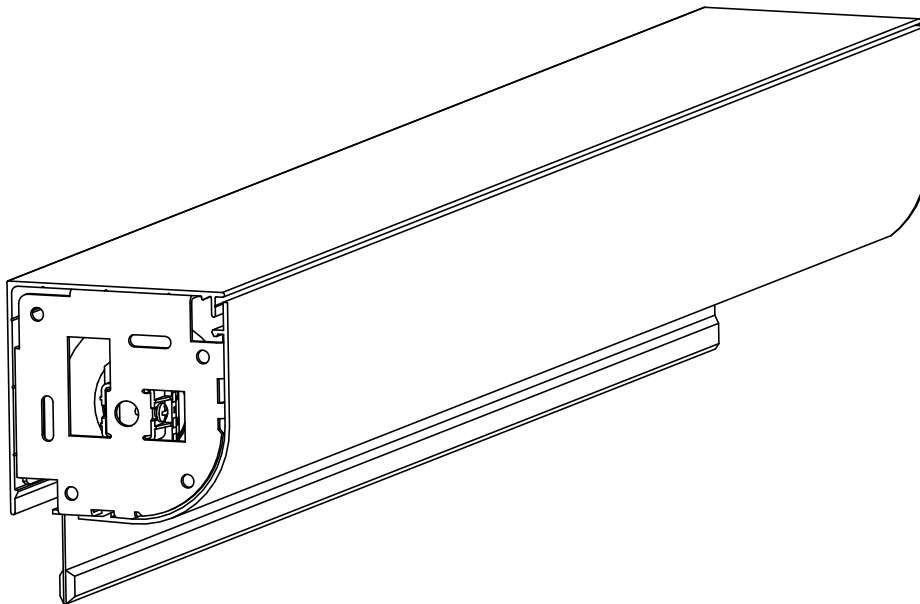
13.2

Swing the fascia down toward the shade, and snap the triangular lip onto the bracket.



13.3

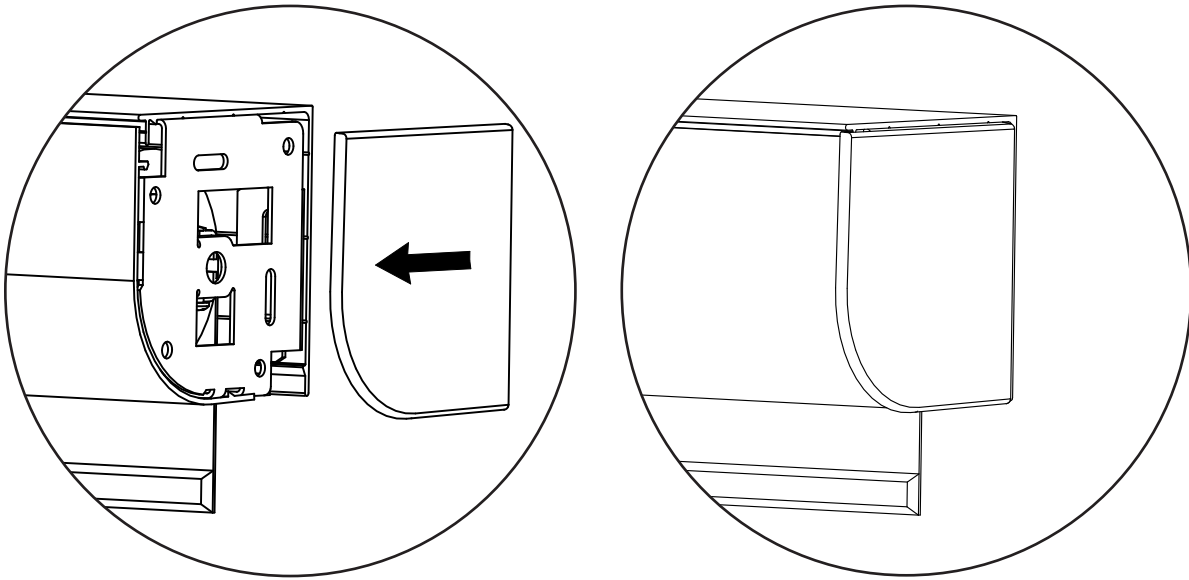
Ensure the fabric does not rub on anything.



14 Install Fascia Endcaps

14.1

Snap the fascia endcap onto the fascia bracket by aligning the pins with the holes on the bracket, and pressing it into place.



15 Finish System Programming

The Sivoia QED shade is now installed, wired, and the OPEN/CLOSE limits for each shade have been set.

The next step is to finish programming the system.

Use the instructions in the **Wiring and Programming Guide** (p/n 045-038) or the **Technical Reference Guide** (p/n 367-592) and perform these four easy steps:

1. **Address the system.** This gives each EDU, keypad and contact closure interface in the system a unique address number or “name”, allowing proper communication between components.
2. **Verify wiring** of each EDU, keypad and interface using the LED feedback from each system component during addressing.
3. **Assign shades** (EDUs) to keypads, IR hand controls and/or contact closure interfaces. Tell the system which shades (EDUs) respond to which keypads, IR hand controls and contact closure interfaces.
4. **Set and save PRESET shade positions** if you desire them to be different from the factory defaults.

Note: Before addressing, all keypads will control all shades. This can be used to verify proper wiring and communication.

16 Troubleshooting

<u>Symptom</u>	<u>Solution</u>
Shade will not move...	...EDU is not powered - check EDU Power. ...Shade is caught on something - free shade. ...Shade is not assigned to keypad, IR, or CCI.
Shade does not fully open or fully close...	...Limits have been set incorrectly - refer to “set open limit” and “set close limit” sections. ...Shade fabric is caught on something - free shade.
Fabric not level...	...Check that brackets are mounted level. ...Check that fabric is tracking correctly on the shade tube.
Fabric not centered over window...	...Check that brackets are centered.
Shade does not move smoothly...	...Check for binding of shade fabric on side channels. ...Check fabric tracking.
IR controls will not operate shade....	...IR transmitter does not have line-of-sight to IR receiver. ...Out of range - move to within 40 feet (12m) of IR receiver. ...EDUs not assigned to IR receiver. ...IR receiver not plugged into any EDU within range. ...IR remote control batteries are not providing power, replace them.

Technical Assistance

WORLD HEADQUARTERS

Lutron Electronics Co., Inc.
7200 Suter Road
Coopersburg, PA 18036
United States
Tel: +1-610-282-3800
Fax: +1-610-282-1243

EUROPEAN HEADQUARTERS

Lutron EA Ltd.
6 Sovereign Close
London, E1W 3JF
United Kingdom
Tel: +44-(0)20-7702-0657
Fax: +44-(0)20-7480-6899

CUSTOMER SERVICE/ORDERING

UK +44-(0)20-7702-0657 –
09.00 - 18.00 GMT
USA +1-800-446-1503 –
08.00 - 20.00 EST

CUSTOMER SERVICE /E-MAIL

shadinginfo@lutron.com

TECHNICAL SUPPORT & SERVICES

USA +1-800-523-9466 –
24 hours/7 days
UK +44-(0)20-7702-0657
09.00 - 18.00 GMT

INTERNET:

www.lutron.com

ADDITIONAL LUTRON SALES OFFICES:

Germany

Tel: +49-309-710-4590
Fax: +49-309-710-4591
FREEPHONE
00800-5887 6635

France

Tel: +33-(0)1-44-70-71-86
Fax: +33-(0)1-44-70-70-97
FREEPHONE 0800-90-12-18

Spain-Madrid

Tel: +34-91-567-84-79
Fax: +34-91-567-84-78
FREEPHONE 0900-948-944

Spain-Barcelona

Tel: +34-93-496-57-42
Fax: +34-93-496-57-50
FREEPHONE 0900-948-944

Hong Kong

Tel: +852-2104-7733
Fax: +852-2104-7633

Beijing

Tel: +86-10-5877-1817
Fax: +86-10-5877-1816

Shanghai

Tel: +86-21-6288-1473
Fax: +86-21-6288-1751

Singapore

Tel: +65-6220-4666
Fax: +65-6220-4333

Japan

Tel: +81-3-5575-8411
Fax: +81-3-5575-8420

Limited Warranty

Lutron offers an 8-year limited warranty for our shading systems. Please contact customer service or visit our website for a complete warranty statement.

Lutron reserves the right to make improvements or changes to these products without prior notice. Although every attempt is made to ensure that this information is accurate and up to date, please check with Lutron to confirm product availability, the latest specifications, and suitability for your application.

These products may be covered by one or more of the following US patents:

6,983,783

and corresponding foreign patents.
US and foreign patents pending.

Lutron, the Sunburst logo, and Sivoia are registered trademarks, and Sivoia QED is a trademark of Lutron Electronics Co., Inc.

©2005 LUTRON Electronics Co., Inc.
Printed in the U.S.A.
P/N 045-108 REV. B