

# Sivoia QED™ Roller 64™ Dual Mount

Installation  
Instructions

# Sivoia QED™ | Roller 64 Dual Mount

## Installation Instructions

---

### Tools Required:

- |                         |                      |
|-------------------------|----------------------|
| Tape Measure            | 1/4" Hex-Head Driver |
| Wire Cutter/Stripper    | Level                |
| Pliers                  | Power Drill          |
| #2 Phillips Screwdriver |                      |

### Notes:

---

- 1) Complete wiring and programming information can be found in the Sivoia QED Wire and Programming Guide, P/N 045-038 or at [www.lutron.com](http://www.lutron.com).
- 2) The Electronic Drive Unit (EDU) will need to be powered to complete installation.

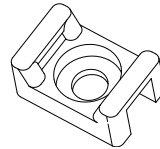
### Box Contents:

---

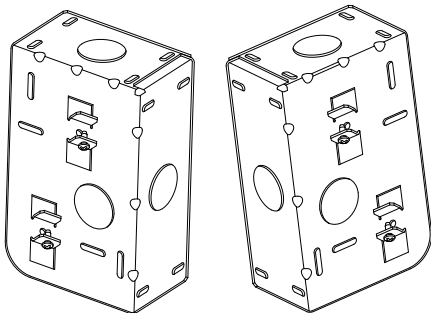
(2) Sivoia QED™ Roller 64



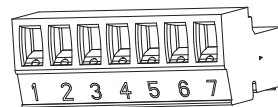
(4) Cable Tie Anchor



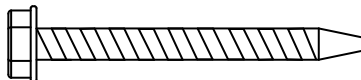
Left and Right Dual Brackets



(2) 7 Pin Terminal Block



(10) Mounting Screws  
(#8x1-3/4" (#8x44mm) Hex Head Screws)



(Actual Size)

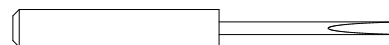
(4) 4" (102mm) Cable Ties



(1) Programming Stylus



(1) Screwdriver



# Sivoia QED™ | Roller 64 Dual Mount

## Installation Instructions (continued)

**Warning:** Incorrect installation can lead to severe injury, follow all installation instructions.

**Notes:**

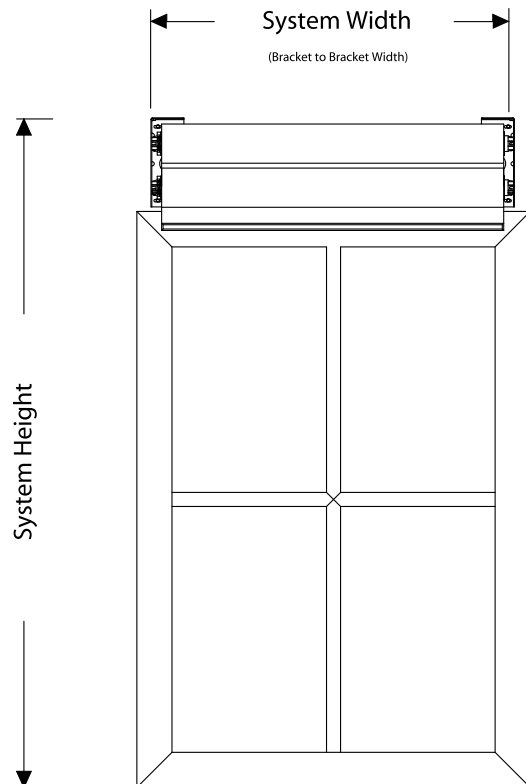
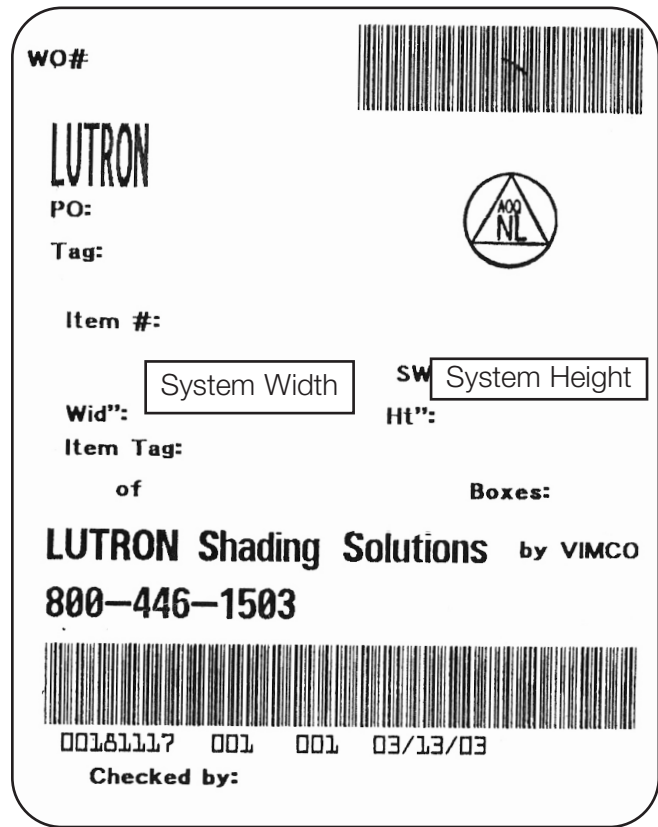
- The Sivoia QED Roller 64 must be used only with window systems approved by Lutron.
- There must be a clearance of at least 1.3 feet (0.4 meters) between the fully lowered system and any permanent object.
- Installation shall be executed by a qualified electrician according to national wiring rules.
- Before shade installation, remove any unnecessary cords and disable any equipment not needed for powered operation. The Sivoia QED Roller 64 has a maximum rated operating time of 8 min.
- The Sivoia QED Roller 64 must be used only with window systems approved by Lutron, and should not be taken apart from the window system.
- **Codes:** Install in accordance with all local and national electrical codes.
- **Environment:** Ambient operating temperature: 0-40°C, 32-104°F, 0-90% humidity, non-condensing. Indoor use only.

# 1 Confirm System Dimensions

## 1.1

Compare system dimensions on the package label with the window dimensions to verify appropriate window/shade combination.

Package Label



## 2

# Position the Mounting Brackets

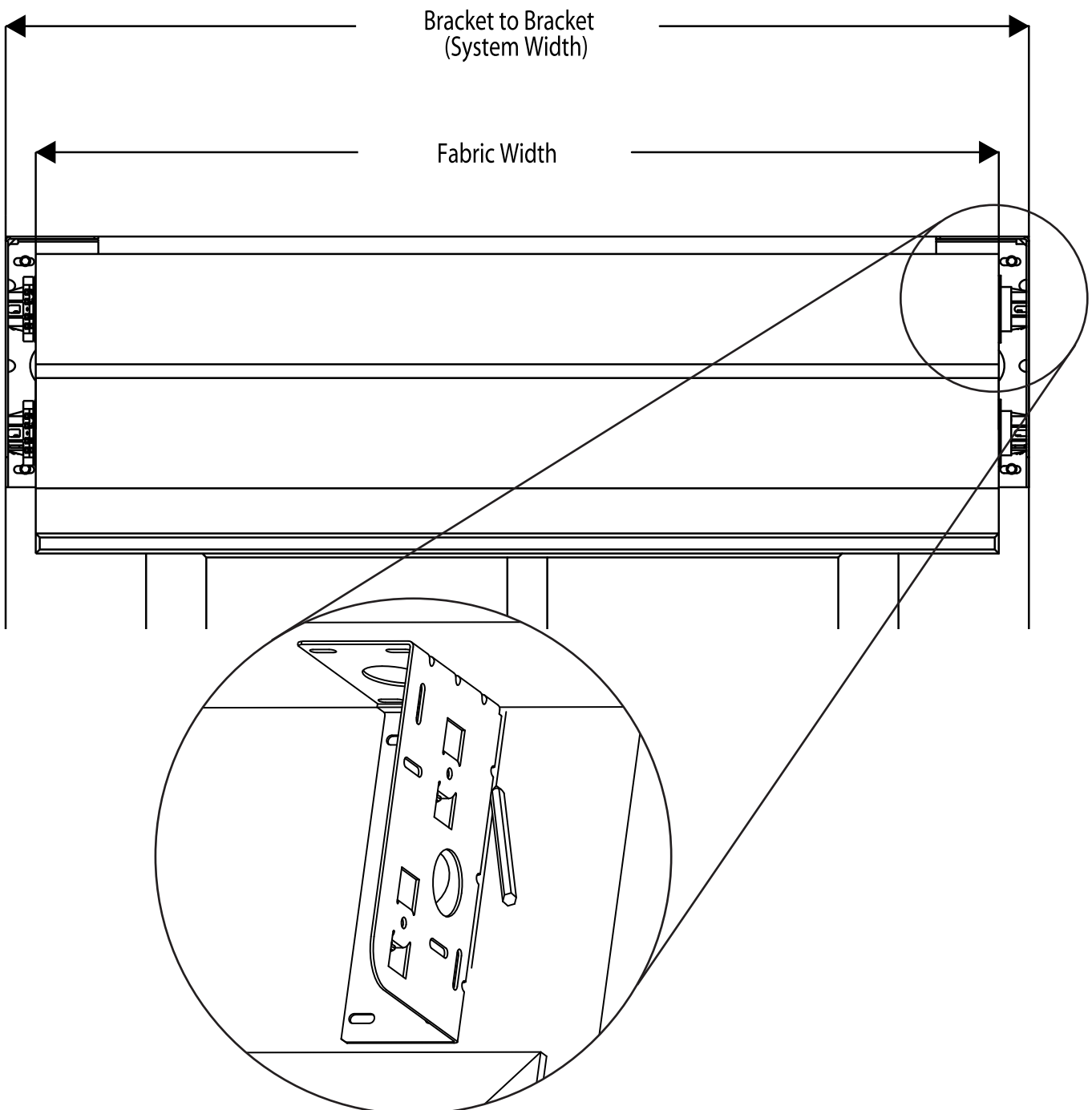
### 2.1

Mark the location of the mounting brackets so they are centered over the window.


**Note:** Bracket to Bracket Distance = Fabric Width + 1.5" (38mm) = System Width.

**Note:** For a ceiling and jamb mount, allow clearance to prevent fabric from rubbing against trim, window, top treatment, etc.

**Note:** Wall mount may require blocks (not provided) to clear trim.



## 3 Pre-drill for Cable Run

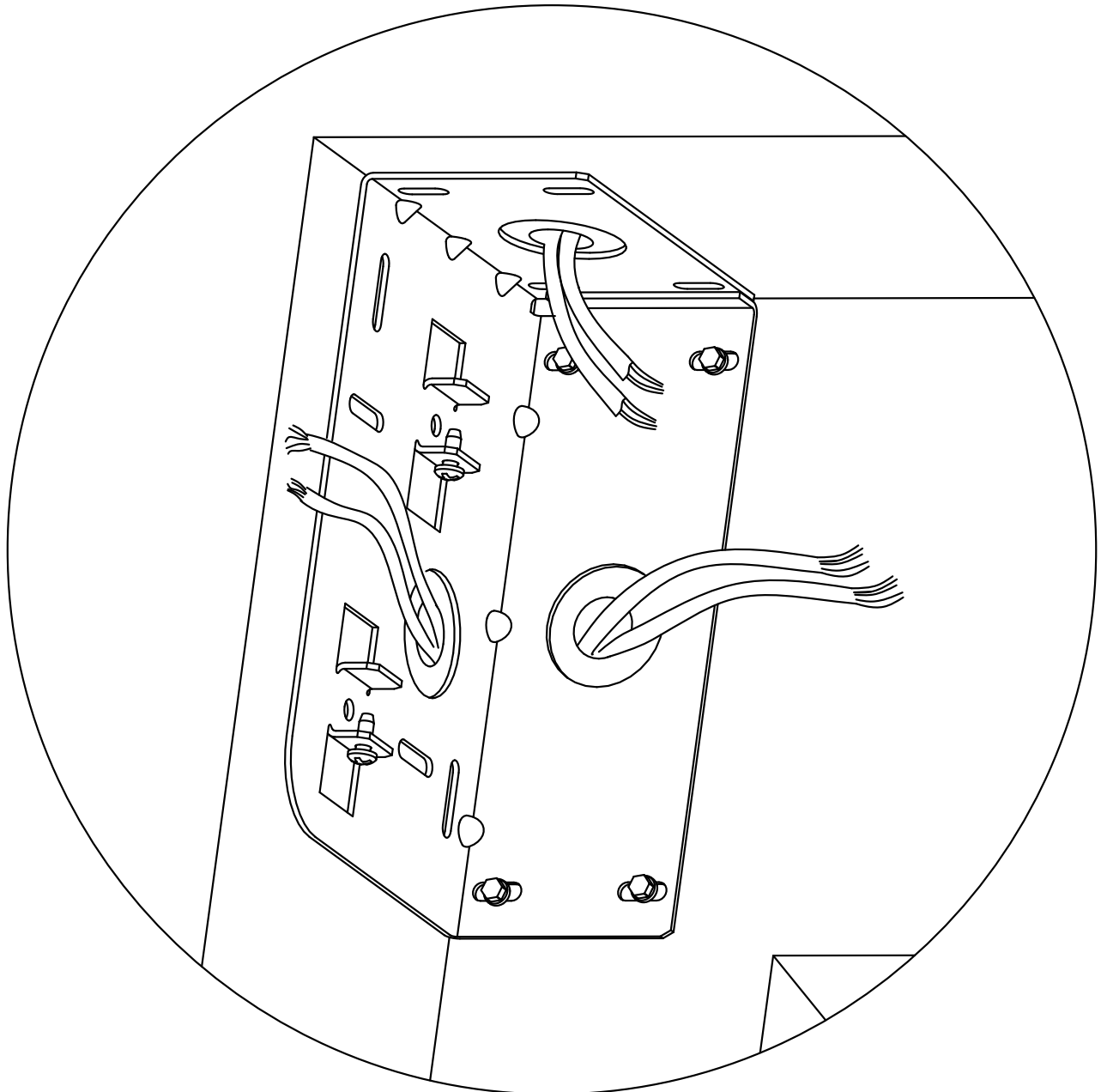
 **DANGER** - Locate and lock breaker to the shade power supply in the OFF position or unplug the power plug-in transformer before doing any wiring.

### 3.1

Choose one of the options below to drill for cable access.

**Note:** Cables may exit through any of the large holes in the dual brackets, on the EDU side of the shades.

**Note:** Leave 12-18" (30-45 cm) cable exposed for each of the two shades.

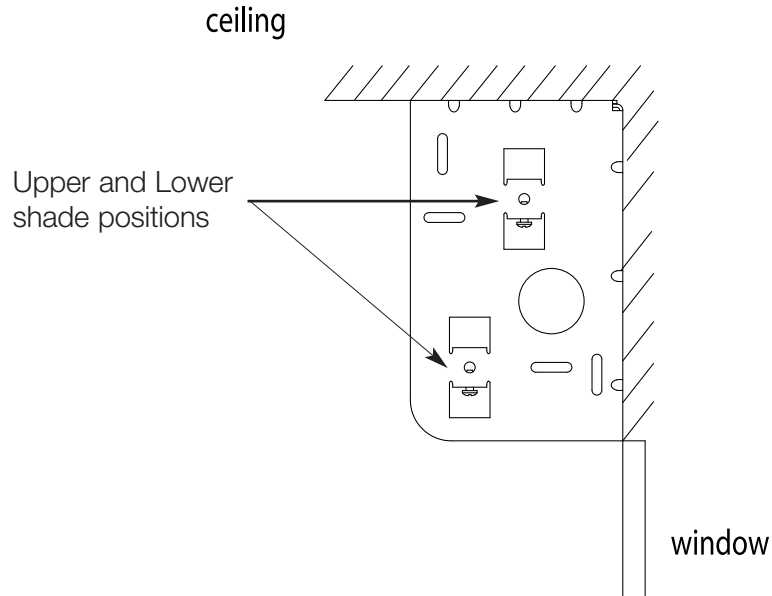


# 4

## Install Dual Brackets

### 4.1

Install the first mounting bracket with the bracket oriented such that the upper shade mount is closest to the glass.

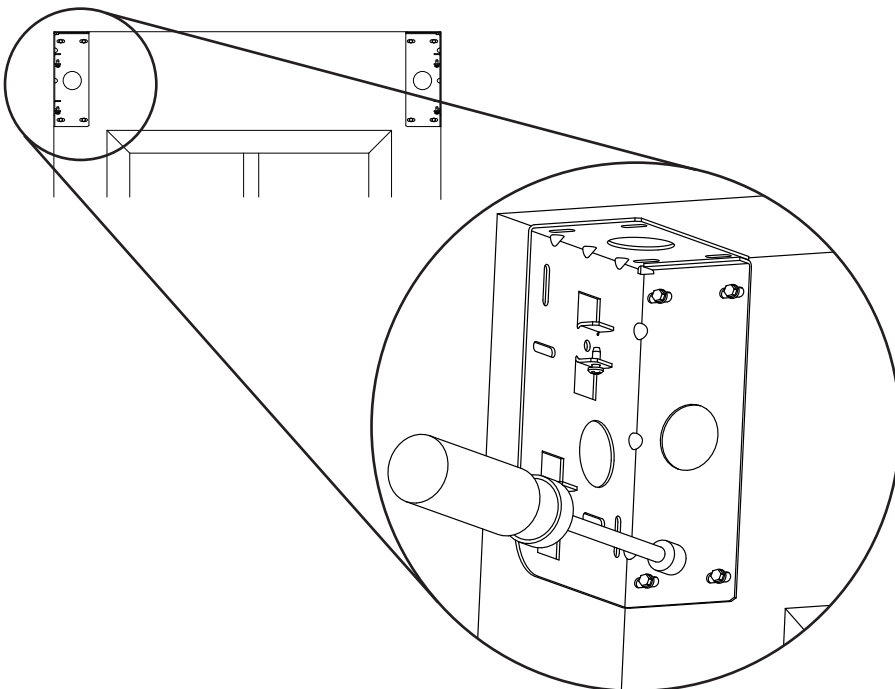


### 4.2

Install the second mounting bracket as shown in the figure below.

**Note:** Each bracket should use four mounting screws, in either the ceiling holes or the wall holes.

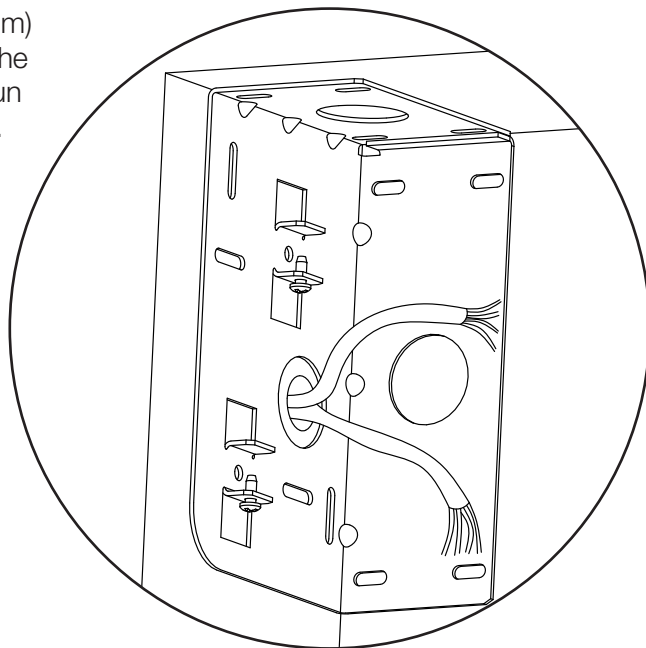
**Note:** The brackets should be mounted to support at least 300 lbs (136 kg).  
The fasteners provided may not be appropriate for use in all applications.



# 5 Wire 7-Pin Terminal Block

## 5.1

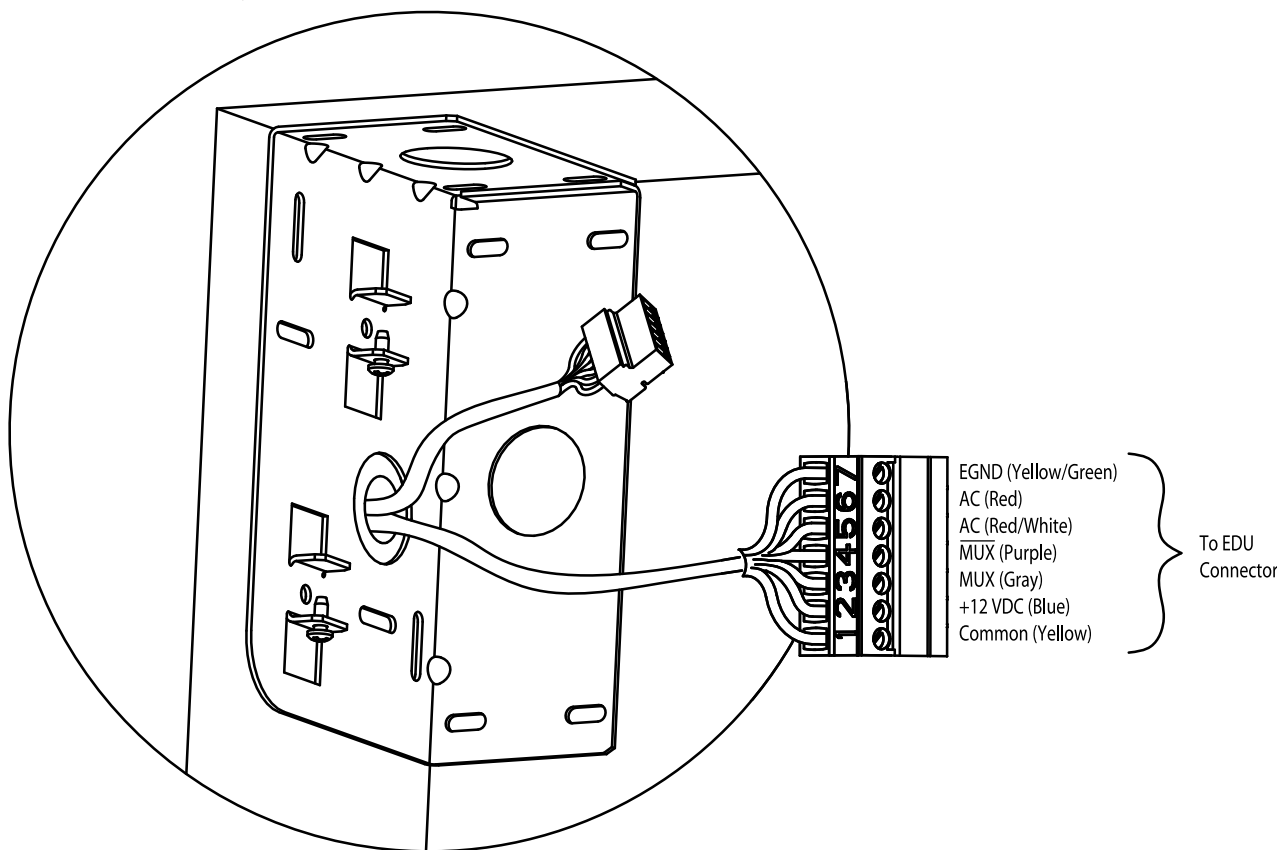
Strip 2" (50mm) of jacket off the cables that run from the wall.



## 5.2

Wire 7-Pin terminal blocks (provided) to cables using the included screwdriver.

**Note:** SVQ-CBL-250 shown.



# 6

## Orient the Buttons and Wiring

### 6.1

For the following bracket and button orientations, route the wires as shown.

**Note:** The buttons should be accessible when the shade is installed.

**Note:** Make sure the wires are not pinched or damaged.

**Note:** The wires may go in either or both of the indicated slots.

