

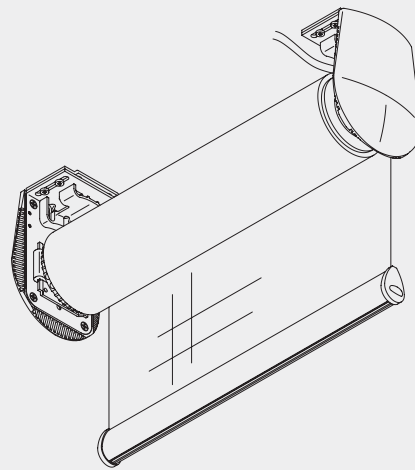
Roller Shade Systems





Motorized Roller Shade

Silent Gliss® 4880



Product Information

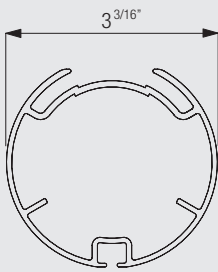
- Very heavy duty motorized (230V) roller blind system, ideal for contract applications.
- With SG 4880, extremely large windows can be covered by one single chain operated system.
- Patented Silent Gliss Quick Twist permits easy on-site adjustments of the head rail to eliminate rolling off caused by minor fabric problems (only available on systems up to 13 ft width, using the 80 mm tube 4901.)
- The system can be used up to a maximum width of 16 ft, a maximum drop of 39 ft or a maximum surface of 36 sqm. These dimensions depend on which one of the two available profiles is used: profile 4901 (80 mm tube) or profile 4957 (110 mm tube).
- The maximum load when using either profile 4901, or profile 4957, should never exceed 50 lbs.
- The system 4880 can be equipped with side-guide wires with easy fitting and tensioning.
- Wall, ceiling or recess mounting. Adjustable stainless steel bracket set, ensuring an easy alignment of the fabric with the window frame thanks to the vertical adjustment facility, operational using a screwdriver only.
- Pre-fitted hook-in stainless steel plates take the weight of the blind whilst the fitters carry out final positioning of the brackets.
- With above refinements the fitting and fine-tuning of these substantial blinds is reduced to a minimum and perfect results are guaranteed.
- Bracket covers round-up the elegant and finished design of this extraordinary blind system.
- The system 4880 is equipped with the tubular motor 4460 from Somfy. (230V/50Hz/0.65A/140W/ 15Nm) which offers a mechanical endstop.
- Supplied complete with motor connected, ready assembled, made-to-measure with fabric. Large and attractive fabric offer.
- Can be combined with Radio Remote Control System Silent Gliss 9940.



4880

Profile and Bending Information

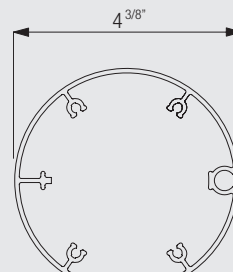
Profile 4901 (3 3/16" tube diameter)



4901



Profile 4957 (4 3/8" tube diameter)

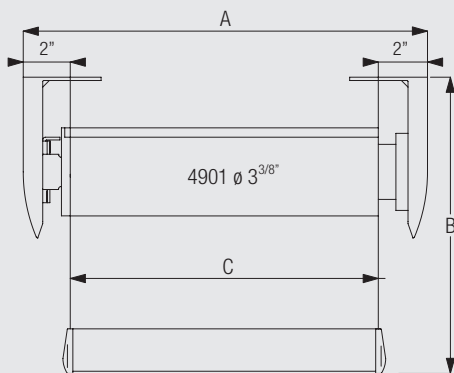


4957



How to measure

Measurement Information with Profile 4901 (3 3/16" tube)



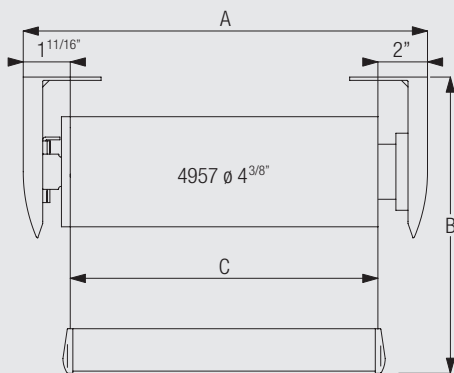
A: system width
B: system drop
C: fabric width

System measurements are indicated with bracket covers. Please refer to Max. Surface Area Chart for exact total maximum measures of system.



4880

Measurement Information with Profile 4957 (4 3/8" tube)



A: system width
B: system drop
C: fabric width

System measurements are indicated with bracket covers. Please refer to Max. Surface Area Chart for exact total maximum measures of system.

System Dimensions



13' with 4901 tube
16' with 4957 tube



28"



40' with 4901 tube
30' with 4957 tube



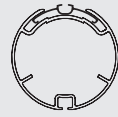
36 sqm



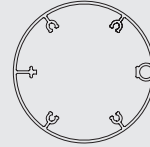
50 lbs with 4901 tube
50 lbs with 4957 tube

Maximum Surface Area Chart

		A →						
		7 ft	8 ft	10 ft	12 ft	13 ft	15 ft	16 ft
B ↓	7 ft	●	●	●	●	○	○	○
	8 ft	●	●	●	●	○	○	○
	10 ft	●	●	●	●	○	○	○
	12 ft	●	●	●	●	○	○	○
	13 ft	●	●	●	●	○	○	○
	15 ft	●	●	●	●	○	○	○
	17 ft	●	●	●	●	○	○	○
	18 ft	●	●	●	●	○	○	○
	20 ft	●	●	●	●	○	○	○
	21 ft	●	●	●	●	○	○	○
	23 ft	●	●	●	●	○	○	○
	25 ft	●	●	●	●	○	○	
	26 ft	●	●	●	●	○	○	
	28 ft	●	●	●	●	○		
	30 ft	●	●	●	●	○		
	31 ft	●	●	●	●			
	33 ft	●	●	●	●			
	35 ft	●	●	●				
	36 ft	●	●	●				
	38 ft	●	●	●	max. 388 ft ²			
40 ft	●	●	●					



● 4901 (ø 3^{3/16}")



○ 4957 (ø 4^{3/8}")

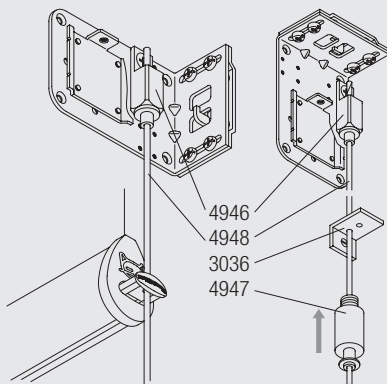


4880

The maximum surface always depends on available fabric widths and fabric weight. A system with the width of greater than 13' is supplied with profile 4857 (4 3/8" tube).

System Options

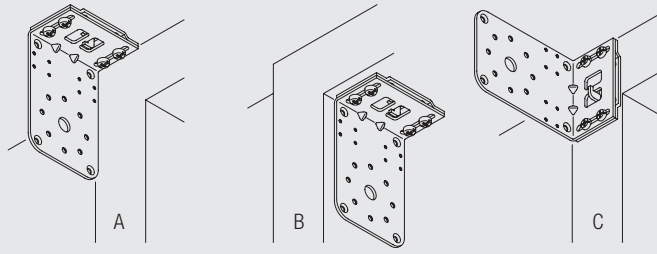
Side guides for stabilizing shade system



- 4946 Top Fastener
- 4948 Wire Rope (1/16")
- 3036 Bracket
- 4947 Bottom Fastener

Mounting Information

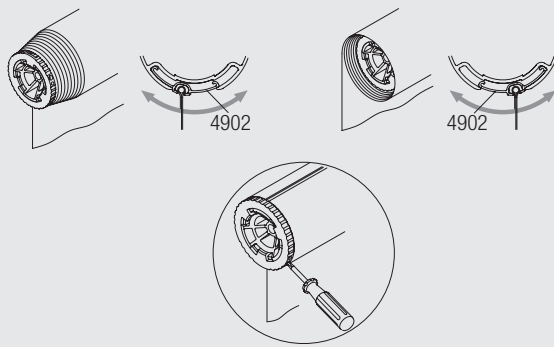
Bracket Positioning and Basic Mounting Features



A: Ceiling Mounting
B: Recess Mounting
C: Wall Mounting

The system 4880 can be mounted to ceiling, wall and also be recessed. Various innovative features make the installation and mounting of this system equally comfortable and sophisticated.

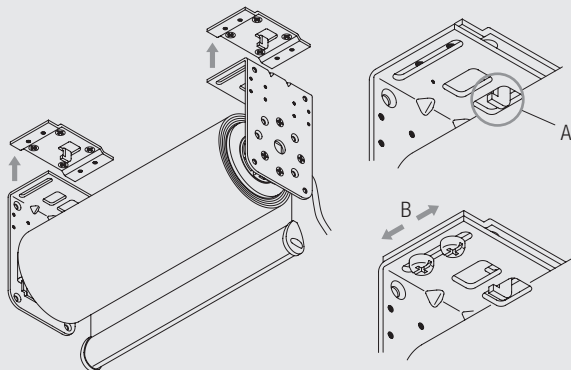
Silent Gliss Quick Twist (Patented)



Patented Silent Gliss Quick Twist permits easy on-site adjustments of the headrail to eliminate rolling off caused by minor fabric problems (only available on systems up to 13 ft width, using the 3 3/16" tube 4901.)

Hook-in Installation Plates

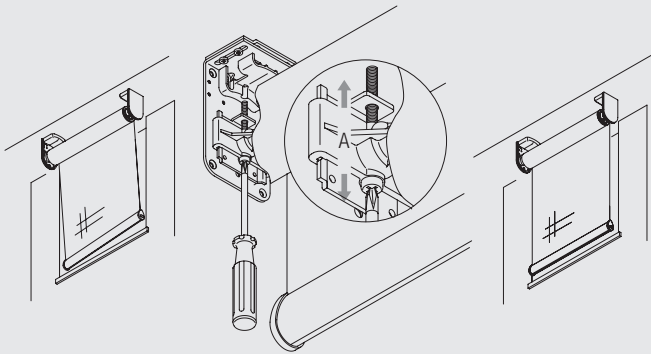
4880



The brackets can be adjusted sideways by up to 11/16".

Specially designed pre-mounted hook-in plates (A) take the weight of the shade while the installers carry out final detailed positioning (B) of the brackets. The brackets can be adjusted sideways by up to 11/16". This unique feature is very well received by installers around the world.

Adjustable stainless steel bracket set (for vertical adjustments)

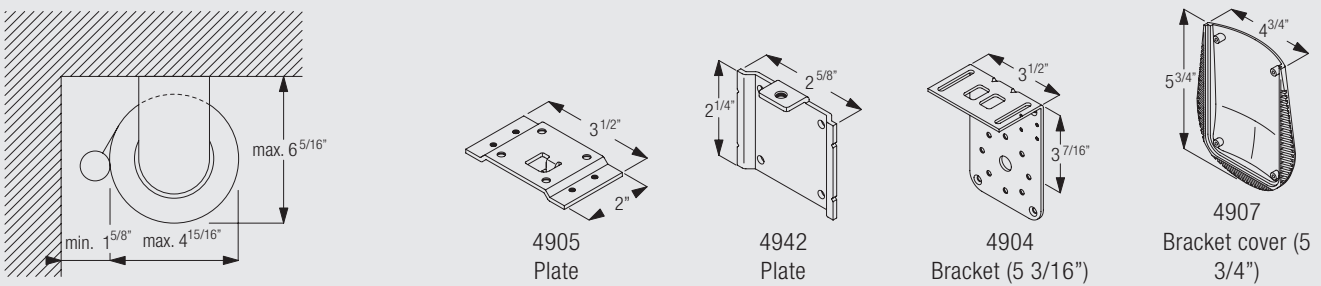


Thanks to this special feature for vertical adjustment of the system (A), the fabric can be adjusted to the window frame or the complete system parallel to the ceiling, without any problems.

Mounting Options

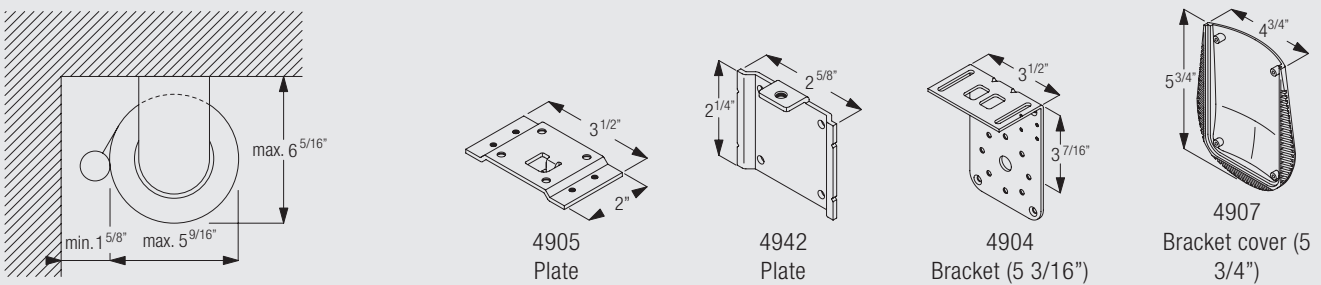
CAD download through Silent Gliss Intranet/e-catalogue

Ceiling mounting (profile 4901; 3 3/16" tube)



All these measurements are based on the maximum system dimensions using the 3 3/16" tube and a fabric thickness of 1/16".

Ceiling mounting (profile 4957; 4 3/8" tube)

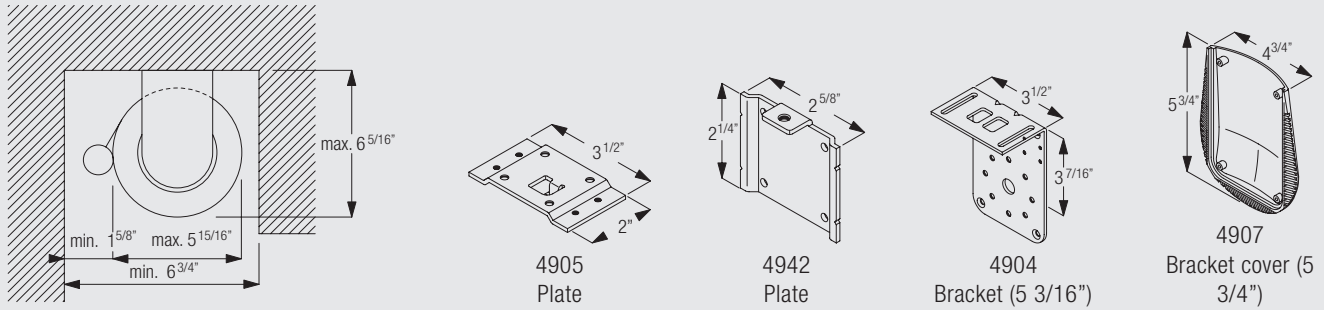


All these measurements are based on the maximum system dimensions using the 4 3/8" tube and a fabric thickness of 1/16".



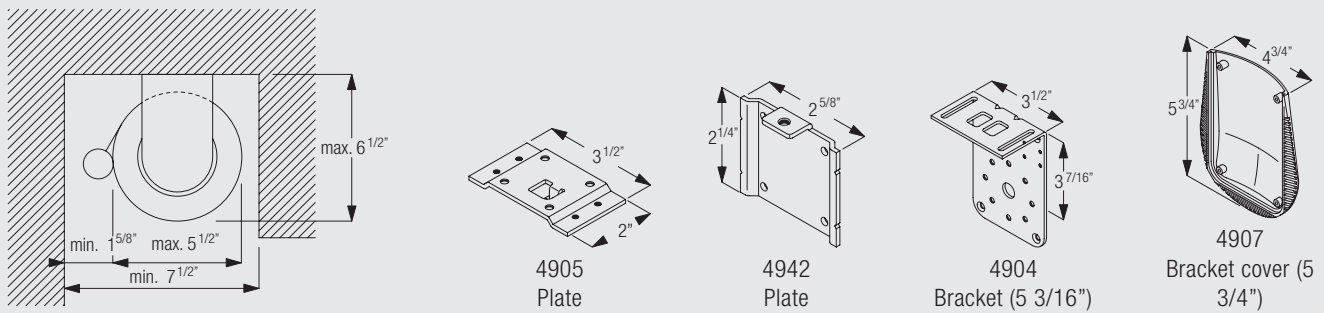
4880

Recess mounting (profile 4901; 3 3/16" tube)



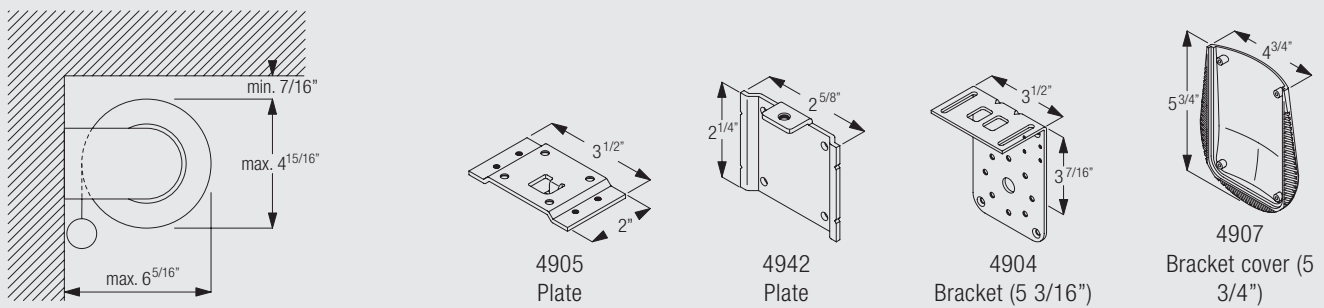
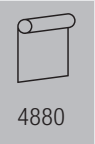
All these measurements are based on the maximum system dimensions using the 3 3/16" tube and a fabric thickness of 1/16".

Recess mounting (profile 4957; 4 3/8" tube)



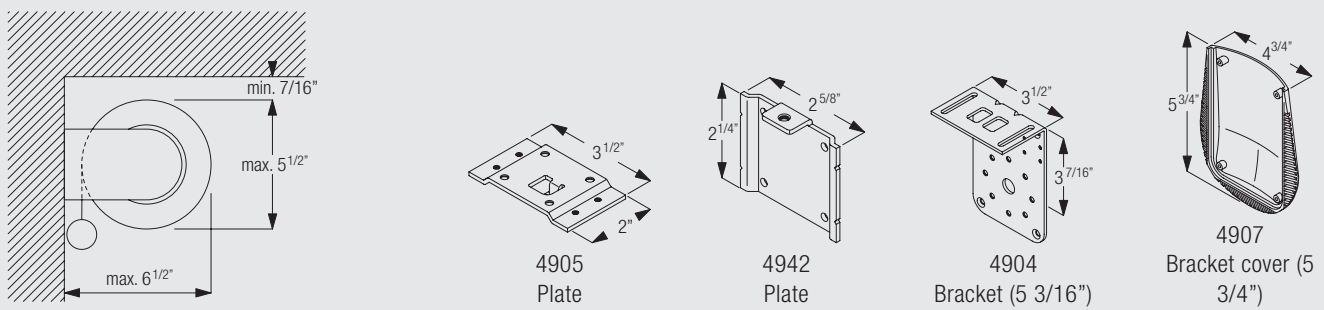
All these measurements are based on the maximum system dimensions using the 4 3/8" tube and a fabric thickness of 1/16".

Wall mounting (profile 4901; 3 3/16" tube)



All these measurements are based on the maximum system dimensions using the 3 3/16" tube and a fabric thickness of 1/16".

Wall mounting (profile 4957; 4 3/8" tube)



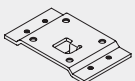
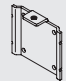


All these measurements are based on the maximum system dimensions using the 4 3/8" tube and a fabric thickness of 1/16".

Standard Accessories

Single Parts

4224	Plastic strip (1/2")		4225	Double tape (1/2")	
4453	Adaptor		4460	Motor Lt50:Atlas 15/17	
4901	Profile		4902	Profile	
4903	Weight bar		4907	Bracket cover (5 3/4")	
4914	Bearing combination		4915	Support	
4926	Bearing		4927	Adaptor	
4928	Bearing		4939	Shaft	
4943	Acrylic rod (ø 3/16")		4944	Endcover for bottom weight	

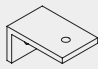


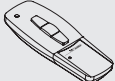
Sets

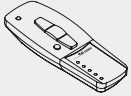
4949	Bracket set, containing		4905	Plate	2	
			4906	Plate	1	
			4966	Special screw	1	
			4904	Bracket (5 3/16")	2	

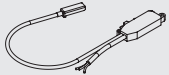



Optional Accessories


Single Parts

3036	Bracket		4946	Wire rope top fastener	
4947	Wire rope bottom fastener		9941	Remote Transmitter, 1 channel	

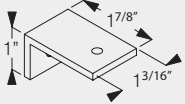
9942 Remote Transmitter, 5+1 channel 

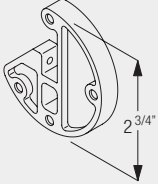
9945 Remote Receiver 

9943 Remote Wall Switch 

9948 Remote Wall Switch with Timer 

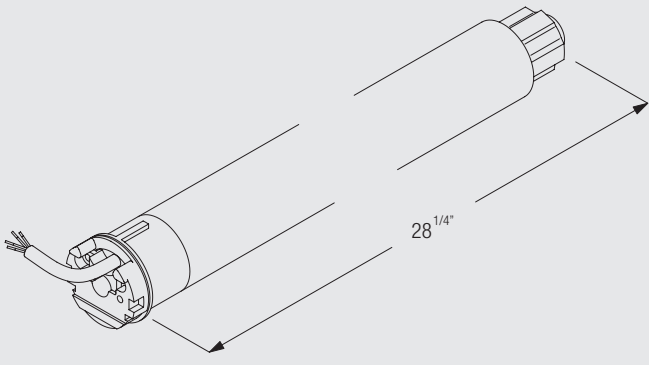
Useful Measures

3036 Bracket 

4926 Bearing 

Motorization

Motor Silent Gliss 4460

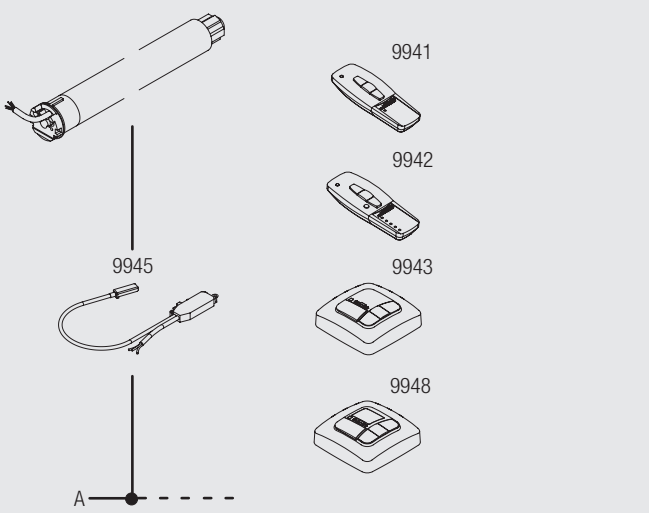


- Torque: 15 Nm
- Voltage: 110 V
- Frequency: 60 Hz
- Power: 100 W
- Current: 0.65 A
- Speed: 17 rpm
- Thermal overload protection
- CE Standard
- Mechanical end stop
- Weight: 4.25 lbs



Operating Methods

Radio Remote Control System Silent Gliss 9940



A: 230 V

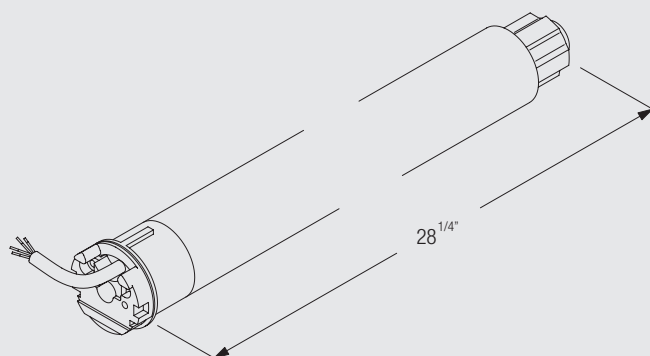
One of the following transmitter can be used:
 9941 Remote Transmitter, 1 channel, 915 MHz
 9942 Remote Transmitter, 5+1 channel, 915 MHz
 9943 Remote Wall Switch MemoTec with timer, 915 MHz
 9948 Remote Wall Switch AstroTec with various functions, 915 MHz

Receiver applicable:
 9945 Remote Receiver Combio RM

Inside a sphere of 82 ft an indefinite numbers of motors can be controlled over 1 channel.

The motor 4460 can be combined with a multitude of various control accessories.

Motor Silent Gliss 4460-RTS



- Torque: 15 Nm
- Voltage: 110 V
- Frequency: 60 Hz
- Power: 100 W
- Current: 0.65 A
- Speed: 17 rpm
- Thermal overload protection
- CE Standard
- Mechanical end stop
- Weight: 4.25 lbs

Wiring and Connections

Important: Please refer to our website, www.silentgliss-usa.com, for more information on wiring instructions.



4880

www.silentgliss-usa.com

Silent Gliss USA Inc.
1850 Beaver Ridge Circle, Suite A
Norcross GA 30071

Phone: 770-466-4811
Toll Free: 1-800-938-7225
Fax: 770-466-4814
info@silentgliss-usa.com